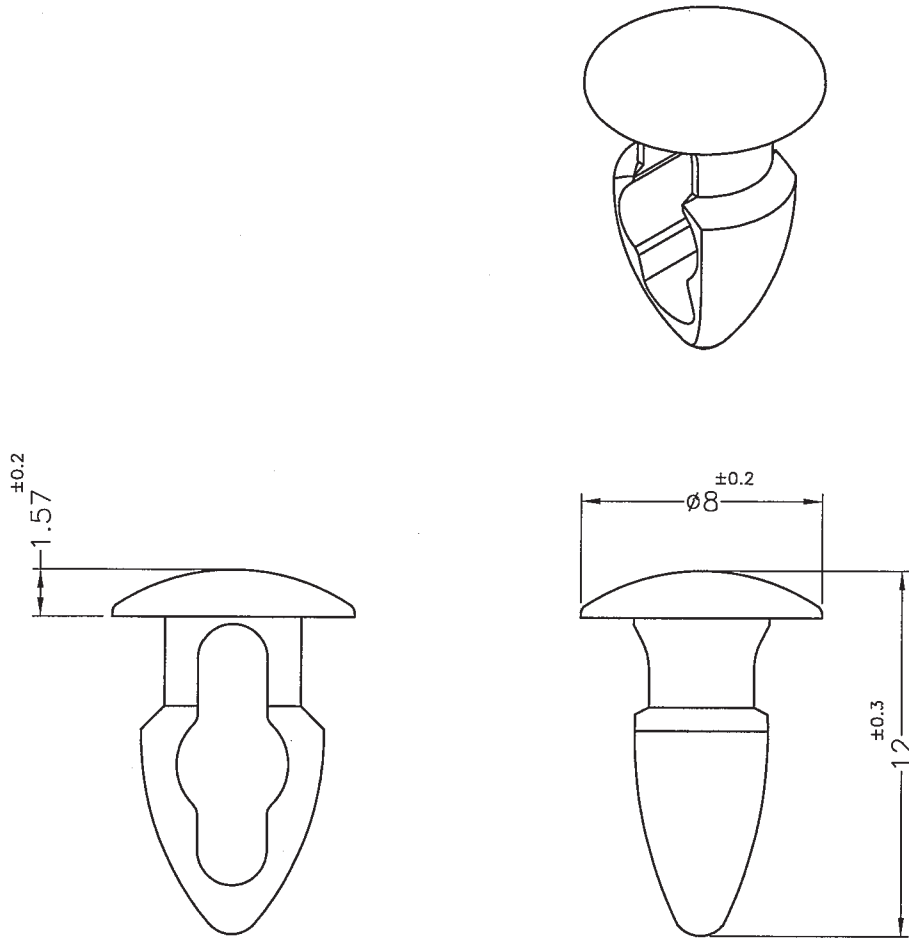



| DIM. | TOL. |
|----------|------|
| 5mm DOWN | ±0.2 |
| 5~20mm | ±0.3 |
| 20~40mm | ±0.4 |
| 40~60mm | ±0.5 |
| 60~100mm | ±0.8 |
| 100mm UP | ±1.0 |

| REVISIONS | | | |
|-----------|-------------|------|----|
| REV | DESCRIPTION | DATE | BY |
| | | | |
| | | | |



MOUNTING HOLE: Ø4,75
THICKNESS: 3,18

| | | | |
|---|--------------|------------------------------------|--------------------|
|  | | TITLE MOUNTING BUTTON | |
| | | MATERIAL PA 6.6 V2(UL94) | DATE 11/06/2024 |
| PART NUMBER 19317AA01 | | DRAWING NUMBER 24/06/11.19317.E | |
| DRAWN A.C. | | COLOR BLACK | CHECK |
| SIZE A4 | SCALE NTS | UNIT mm. | REV A |
| UNLESS OTHERWISE SPECIFIED TOLERANCE SEE ABOVE | | APPROVED | |