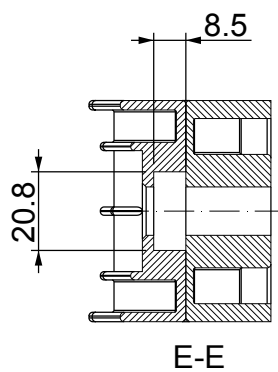
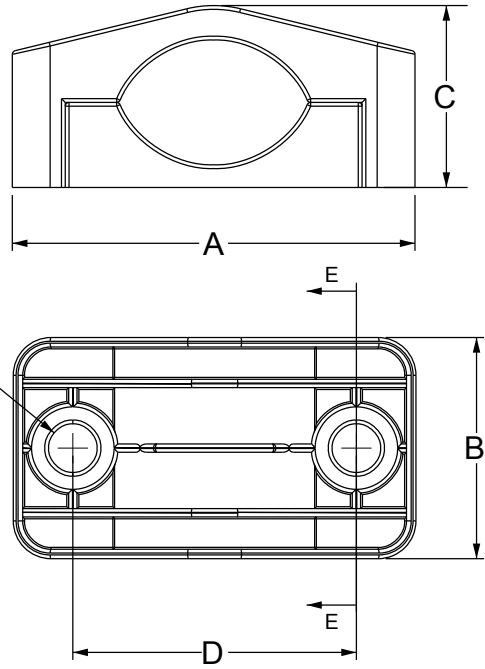


N°	Part name	Qty
1	Base	1
2	Cable	1
3	Washer DIN 125 - A 13 *	4
4	Hexagon Thin Nut ISO 4035 - M12 (or M10)	2 or 4
5	Upper-cover	1
6	Bottom-cover	1
7	DIN EN 24014 - M12 (or M10) x 65 x 65-N	2

* Note: use only flat washers

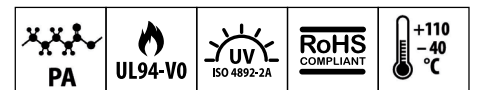


Screws, Nuts and washers not included

Torque range: 1 - 7,5 Nm* depends on model and cable manufacture prescriptions

Cod.	Cable Ø [mm] n° / max - min	A [mm]	B [mm]	C [mm]	D [mm]
19311AA01	1 / 13-25	87,5	47,0	35,0	60,0
19312AA01	1 / 20-36	88,0	58,0	42,0	60,0
19313AA01	1 / 36-52	106,5	59,0	49,5	75,0
19314AA01	1 / 55-75	113,5	59,0	52,0	83,0
19315AA01	1 / 75-95	128,0	59,0	64,5	95,0

Flammability: UL94-V0, self-extinguishing
Temperature: -40°C ... +110°C (static)
Properties: halogen-free, silicone-free



		TITLE MFK CABLE CLAMPS		
		MATERIAL PA +20% GF	DATE 25/07/2024	
PART NUMBER SEE ABOVE		DRAWING NUMBER 24/07/25.1931X.E	COLOR BLACK	CHECK
SIZE A4	SCALE NTS	UNIT mm.	REV A	UNLESS OTHERWISE SPECIFIED TOLERANCE SEE ABOVE
				APPROVED