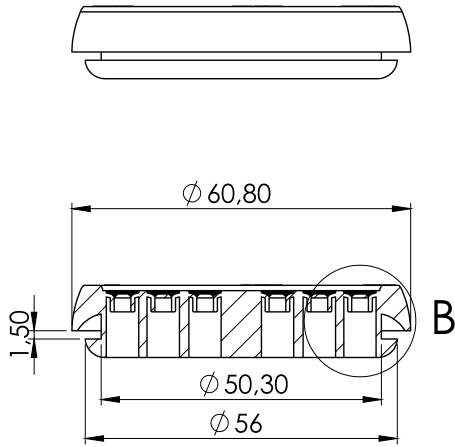
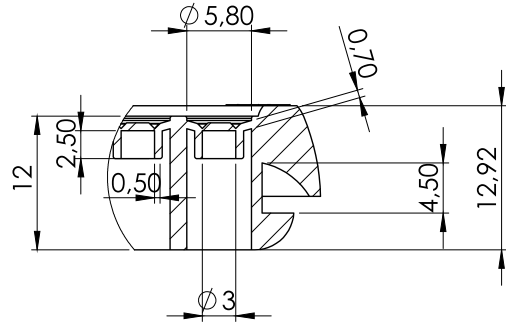


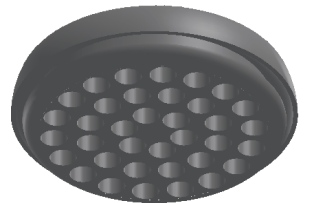
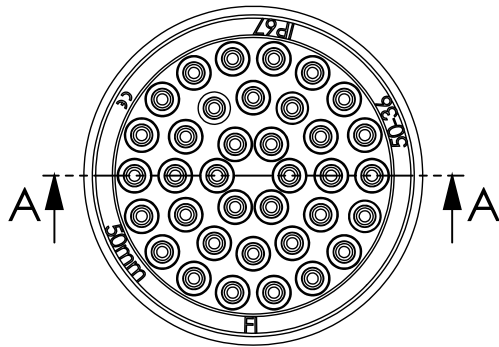
REVISIONS			
REV	DESCRIPTION	DATE	BY



SECTION A-A



DETAIL B



PANEL HOLE: 50,0
 PANEL THICKNESS: 1,5 - 5,0 mm

WORKING TEMPERATURE: -40°C...+100°C



				TITLE IP 67 MULTI-HOLE GROMMET 36 x 3 - 5,5			
				MATERIAL TPE		DATE 15/09/2015	
				DRAWN S.P.			
PART NUMBER 22010PF117035		DRAWING NUMBER 15.09.15.2210.0.E		COLOR RAL 7035		CHECK	
SIZE A4	SCALE NTS	UNIT mm	REV A	UNLESS OTHERWISE SPECIFIED TOLERANCE SEE ABOVE		APPROVED	