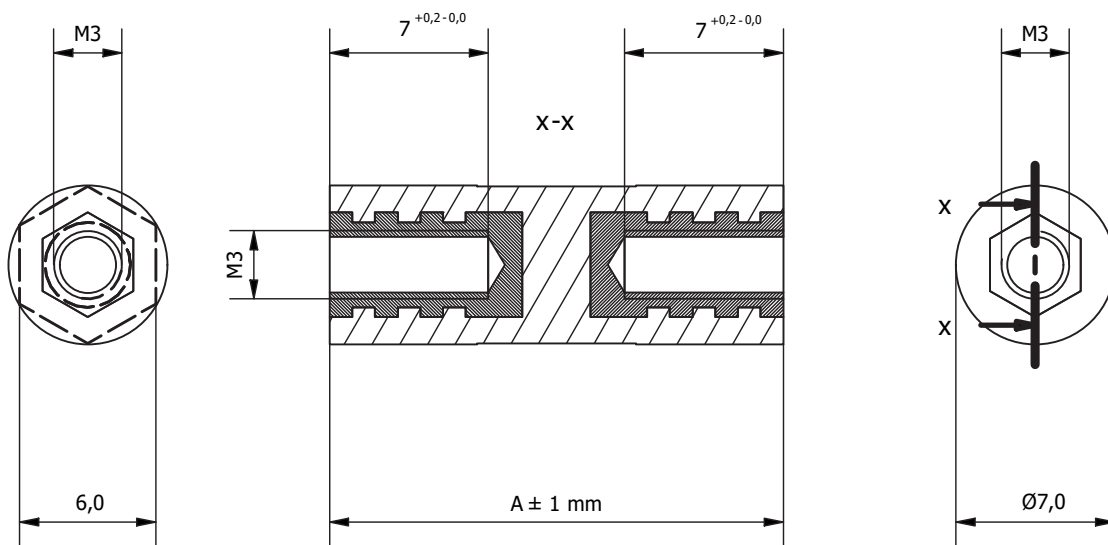


REVISIONS			
REV	DESCRIPTION	DATE	BY



P/N	A	P/N	A
10483DA1115.0	15.0	10483DA1130.0	30.0
10483DA1120.0	20.0	10483DA1140.0	40.0
10483DA1125.0	25.0	10483DA1155.0	55.0

Material:
Thread: zinc plated steel
Hexagon: polystreen
Flammability: UL94-HB
Temperature: -40°C ... +110°C



TITLE **INSULATING POLYSTYROL & STEEL P.C.B SPACERS**

MATERIAL BODY POLYSTREEN DATE 16/09/2024

MATERIAL THREAD INSERT ZINC PLATED STEEL DRAWN E.B

COLOR GREY RAL 7035 CHECK

PART NUMBER SEE TABLE DRAWING NUMBER 24.09.16.10483.0.E

SIZE A4 SCALE NTS UNIT mm. REV A

UNLESS OTHERWISE SPECIFIED TOLERANCE SEE ABOVE APPROVED