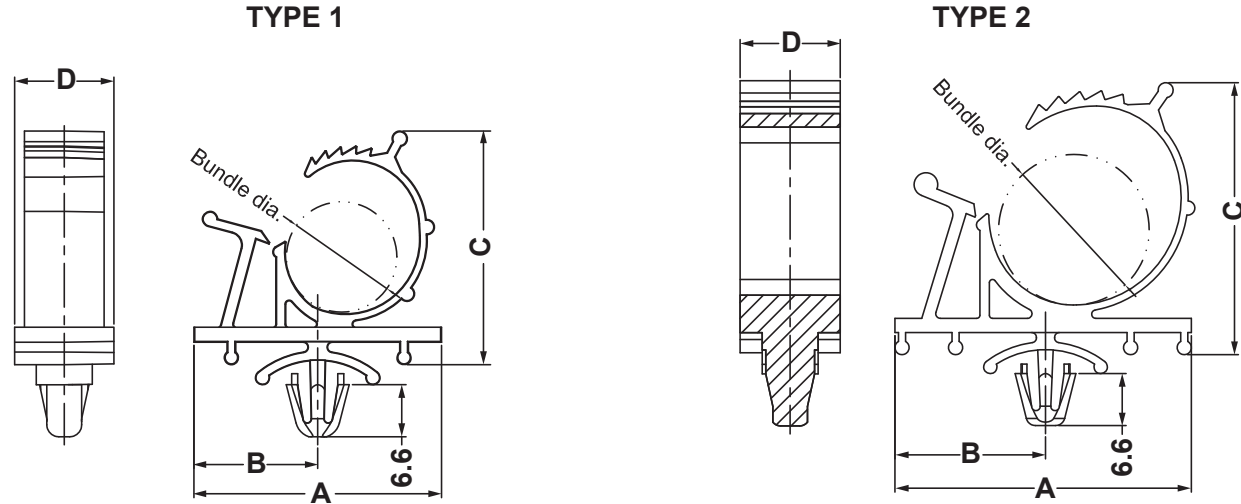


DIMENSION	TOLERANCE
$L \leq 4$	± 0.10
$4 < L \leq 15$	± 0.20
$15 < L \leq 50$	± 0.30
$50 < L \leq 100$	± 0.40

REVISIONS			
REV	DESCRIPTION	DATE	BY



Notes: RoHS Compliant

P/N	A	B	C	D	Hole	Thickness	Bundle Dia.	Material	Type	
18650AA00	19,1	8,9	23,8	8,9	$\varnothing 6.3 \pm 0.08$	0.8-1.5	$\varnothing 0,2 - 7,9$	PA66 UL94V2	1	
18650AR00								PA66 UL94V0		
15581AA00	31.4	15.7	29.6	12.6	$\varnothing 6.3 \pm 0.08$	0.8-1.5	$\varnothing 11.9-14.0$	PA66 UL94V2		
15581AR00								PA66 UL94V0		
15582AA00	37.6	19.1	34.5	12.7	$\varnothing 6.3 \pm 0.08$	0.8-1.5	$\varnothing 14.7-19.1$	PA66 UL94V2		2
15582AR00								PA66 UL94V0		

	DESCRIPTION		TITLE: PLUG IN ADJUSTABLE CLIP		DWG UNIT: MM
	MATERIAL: SEE TABLE		Modelled in RHINO 4.0	FILE:	DwN: 06/10/21
	COLOUR: NATURAL		TOLLERANCES UNLESS NOTED	SHEET: 1 OF 1	ChkD: DT:21.10.06.1558X.0.E. Part Number: SEE TABLE
			SEE ABOVE	SCALE: NTS	
REV.		DATE			

