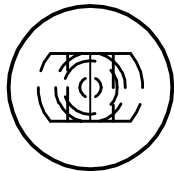
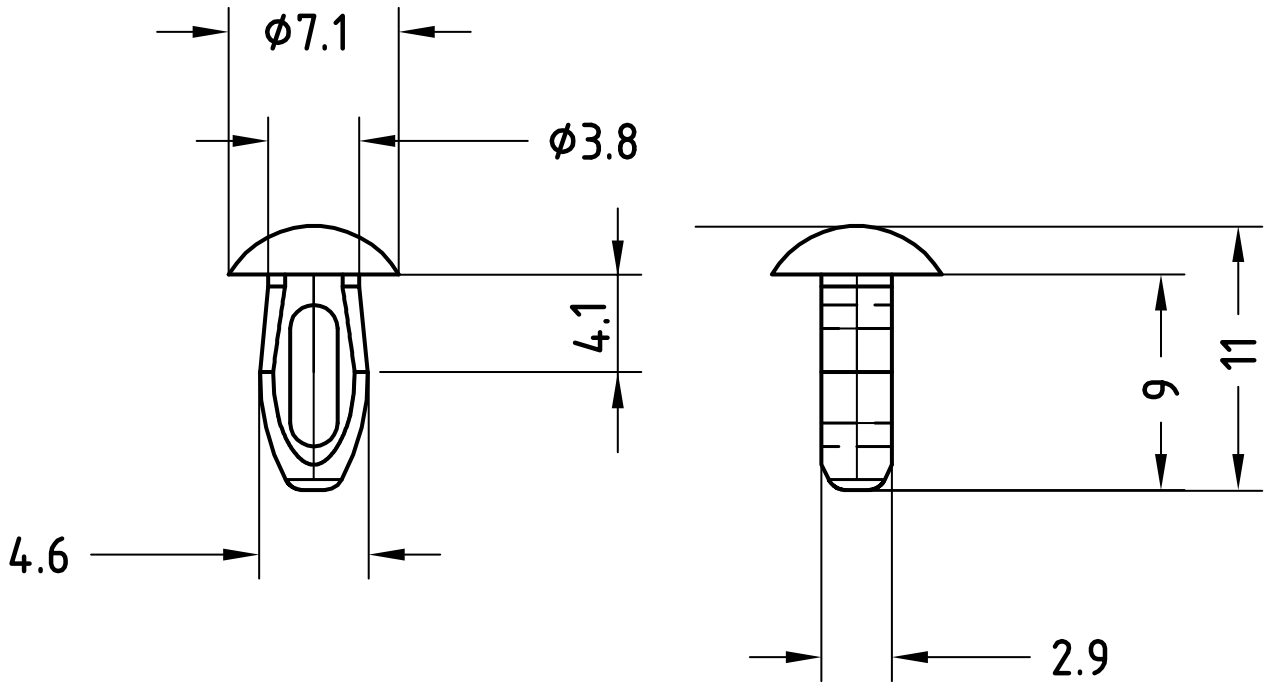


DIM.	TOL.
5mm DOWN	±0.2
5~20mm	±0.3
20~40mm	±0.4
40~60mm	±0.5
60~100mm	±0.8
100mm UP	±1.0

REVISIONS			
REV	DESCRIPTION	DATE	BY
01	Dim. Ø 3,8 was 3,1	03.08.2021	S.W.

Hole : Ø 3.9 +/-0.1
Panell Thickness: 1,6-3.7mm



TITLE PUSH MOUNT

MATERIAL	Nylon 6	DATE	03.06.2021
		DRAWN	S.W.
COLOR	Black	CHECK	
UNLESS OTHERWISE SPECIFIED TOLERANCE	SEE ABOVE	APPROVED	

PART NUMBER	15964AA01	DRAWING NUMBER	
SIZE	A4	SCALE	NTS
UNIT	mm.	REV	A