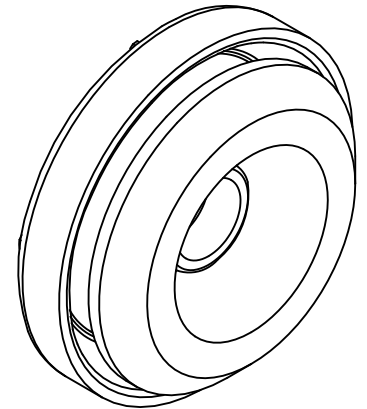
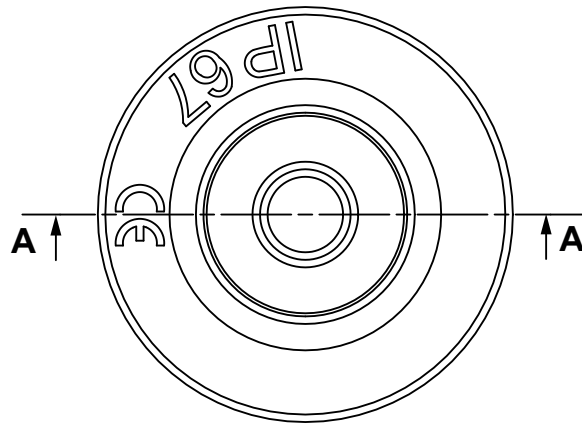
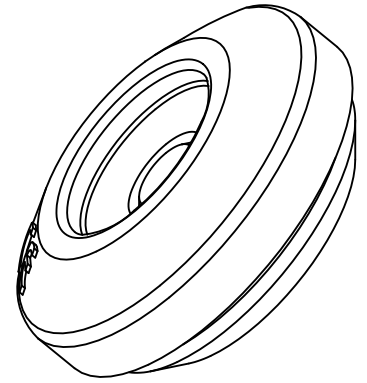
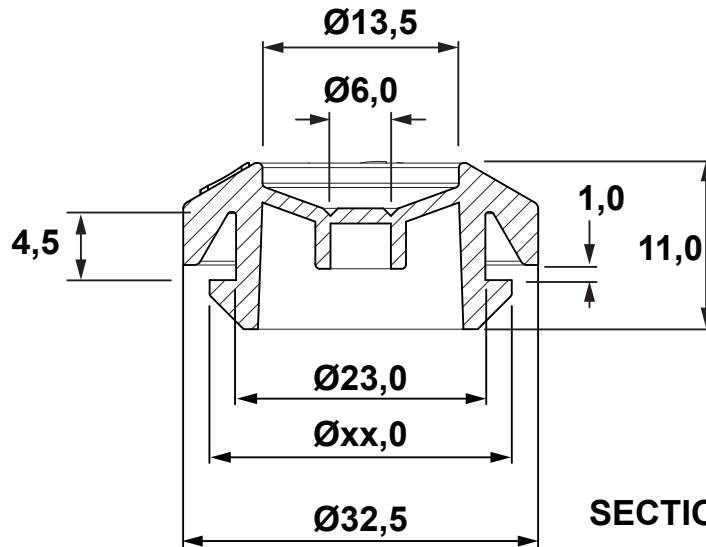


DIM.	TOL.
5mm DOWN	±0.2
5~20mm	±0.3
20~40mm	±0.4
40~60mm	±0.5
60~100mm	±0.8
100mm UP	±1.0

REVISIONS			
REV	DESCRIPTION	DATE	BY



P/N	color	material
16465PF019011	RAL 9011	TPE-SEBS
16465PF117035	RAL 7035	TPE-SEBS
16465PV02	WHITE	TPE-SEBS V0

MAX. PANEL THICKNESS: MIN. 1,0 ... MAX. 4,5
HOLE PANEL: 20,7
WORKING TEMPERATURE: -40°C ... + 130°C
PROTECTION IP67

		TITLE GROMMET	
		MATERIAL SEE ABOVE	DATE 04/04/2022
PART NUMBER SEE ABOVE		DRAWING NUMBER 22.04.04.16465.0.E	
		COLOR SEE ABOVE	CHECK A.C.
SIZE A4	SCALE 2:1	UNIT mm.	REV A
UNLESS OTHERWISE SPECIFIED TOLERANCE SEE ABOVE		APPROVED	