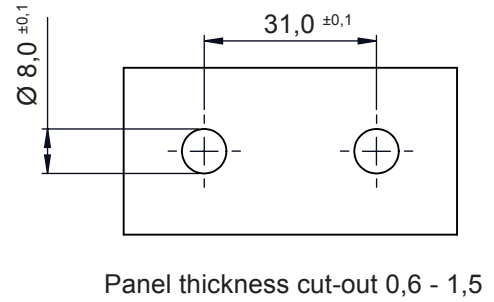
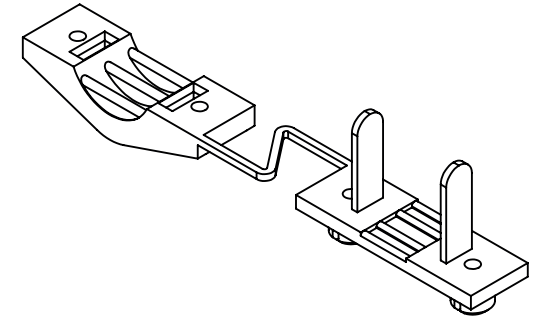
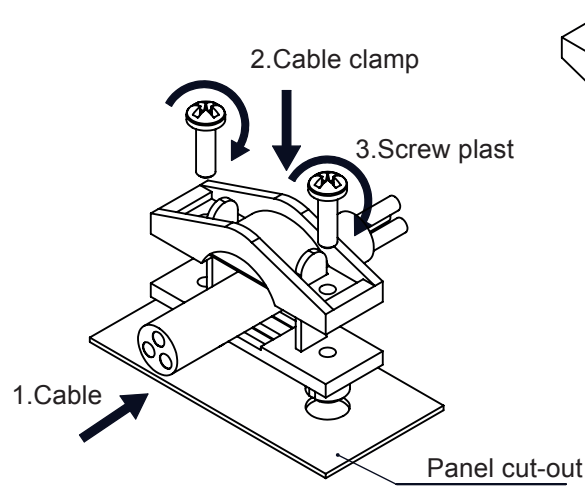
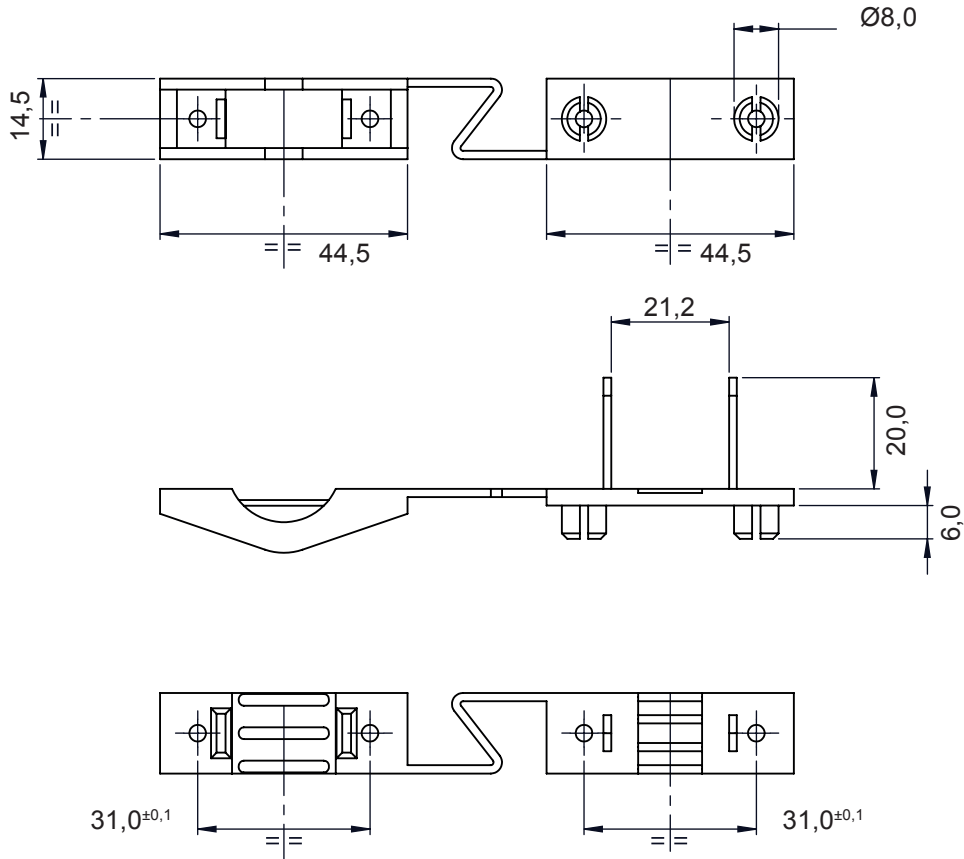


DIM.	TOL.
5mm DOWN	±0.2
5~20mm	±0.3
20~40mm	±0.4
40~60mm	±0.5
60~100mm	±0.8
100mm UP	±1.0



REVISIONS			
REV	DESCRIPTION	DATE	BY



Cable clamp screw	ST 3,5 X 25,0
-------------------	---------------

WORKING TEMPERATURE: -5°C....+130°C

REV.	DESCRIPTION	DATE	TITLE: CABLE CLAMP	FILE:	DwN: 21/11/23	ChkD:	DWG UNIT: MM
	MATERIAL: PA 66 UL94 V0		Modelled in RHINO 4.0				
	COLOUR: BLACK		TOLLERANCES UNLESS NOTED	SHEET: 1 OF 1	DT:23.11.21.18320rev01	Part Number: 18320AR01REV01	
			SEE ABOVE	SCALE: NTS			

