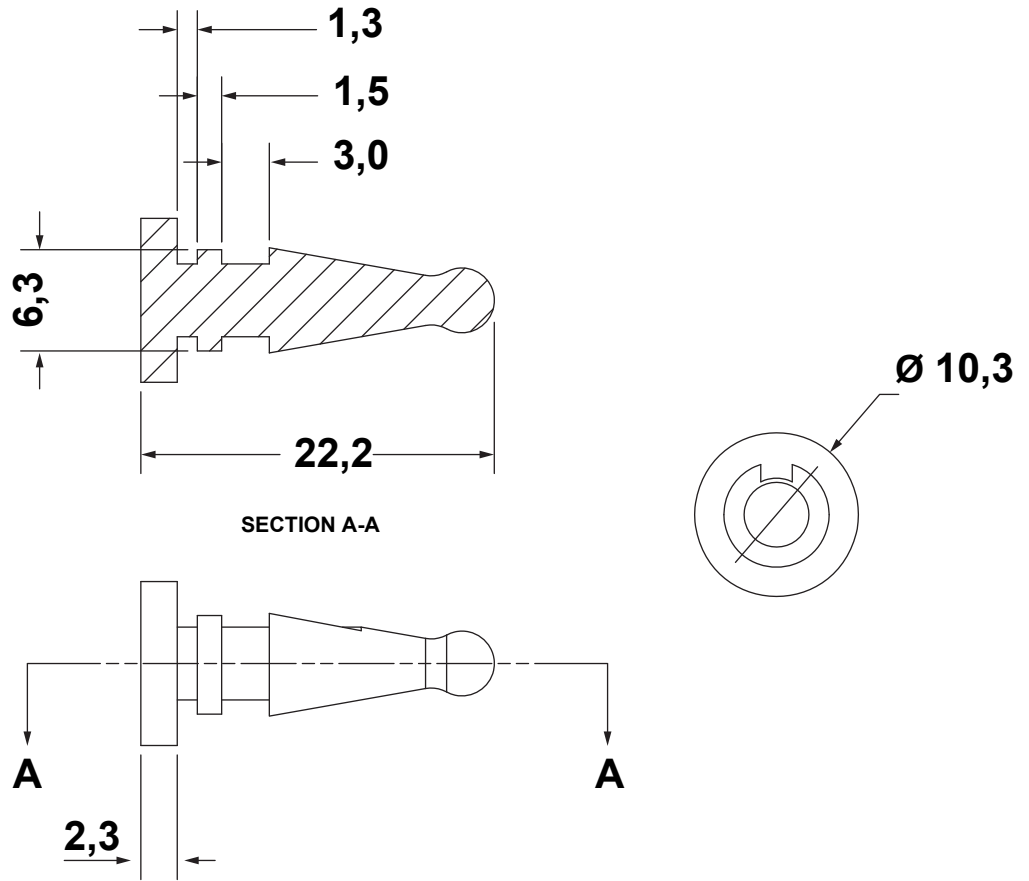



DIM.	TOL.
5mm DOWN	±0.2
5~20mm	±0.3
20~40mm	±0.4
40~60mm	±0.5
60~100mm	±0.8
100mm UP	±1.0

REVISIONS			
REV	DESCRIPTION	DATE	BY



FAN:
HOLE MOUNTING: Ø 5,0 mm
THICKNESS: 3,1 mm

PANEL:
HOLE MOUNTING: Ø 5,0 mm
THICKNESS: 1,4 mm

				TITLE FAN MOUNTS	
				MATERIAL EPDM SH A 30	DATE 29/07/2024
					DRAWN E.B.
PART NUMBER 18453GS01		DRAWING NUMBER 24.02.27.18453.0.E		COLOR BLACK	CHECK
SIZE A4	SCALE NTS	UNIT mm.	REV A	UNLESS OTHERWISE SPECIFIED TOLERANCE SEE ABOVE	APPROVED