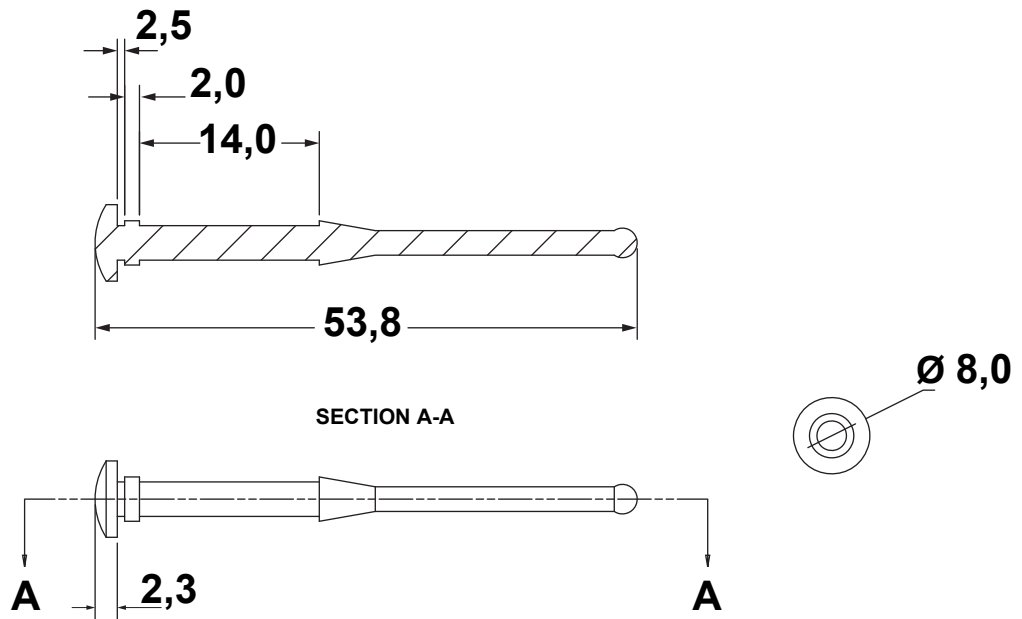


| DIM. | TOL. |
|----------|------|
| 5mm DOWN | ±0.2 |
| 5~20mm | ±0.3 |
| 20~40mm | ±0.4 |
| 40~60mm | ±0.5 |
| 60~100mm | ±0.8 |
| 100mm UP | ±1.0 |

| REVISIONS | | | |
|-----------|-------------|------|----|
| REV | DESCRIPTION | DATE | BY |
| | | | |
| | | | |



FAN:
HOLE MOUNTING: Ø 4,3 mm
THICKNESS: 15,0 mm

PANEL:
HOLE MOUNTING: Ø 4,3 mm
THICKNESS: 3,0 mm

| | | | |
|--|--------------|-------------------------------------|--------------------|
| | | TITLE FAN MOUNTS | |
| | | MATERIAL SILICONE RUBBER SH A 40 | DATE 29/07/2024 |
| PART NUMBER 18456SI01 | | DRAWN E.B. | |
| DRAWING NUMBER 24.02.27.18456.0.E | | COLOR BLACK | CHECK |
| SIZE A4 | SCALE NTS | UNIT mm. | REV A |
| UNLESS OTHERWISE SPECIFIED TOLERANCE SEE ABOVE | | APPROVED | |