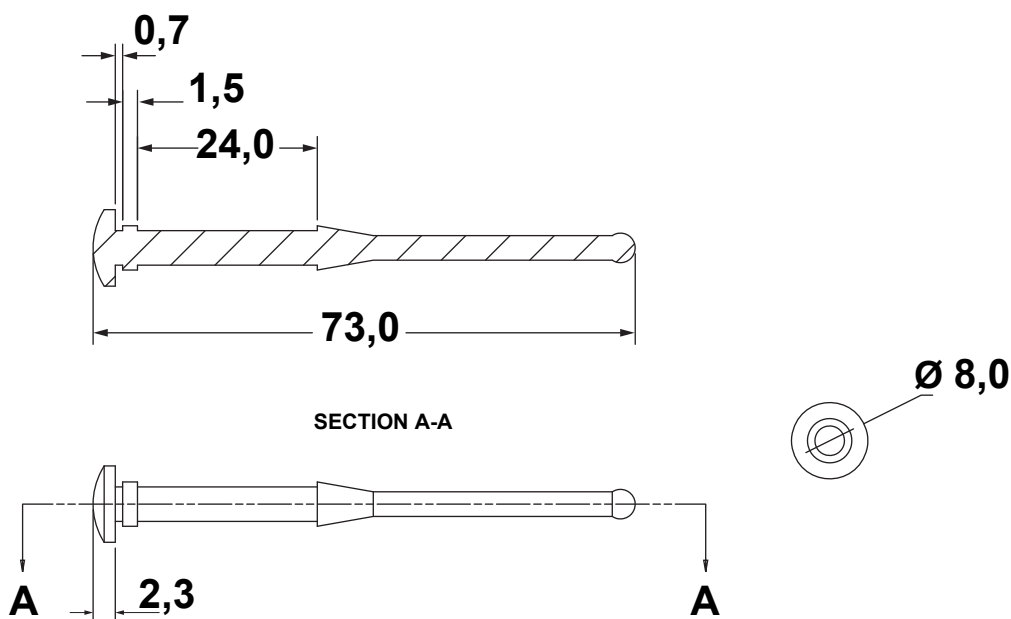


DIM.	TOL.
5mm DOWN	±0.2
5~20mm	±0.3
20~40mm	±0.4
40~60mm	±0.5
60~100mm	±0.8
100mm UP	±1.0

REVISIONS			
REV	DESCRIPTION	DATE	BY



FAN:
HOLE MOUNTING: Ø 3,5 mm
THICKNESS: 25,0 - 28,0 mm

PANEL:
HOLE MOUNTING: Ø 3,5 mm
THICKNESS: 0,8 mm

		TITLE FAN MOUNTS	
		MATERIAL SILICONE RUBBER SH A 40	DATE 29/07/2024
PART NUMBER 18457SI01		DRAWN E.B.	
DRAWING NUMBER 24.02.27.18457.0.E		COLOR BLACK	CHECK
SIZE A4	SCALE NTS	UNIT mm.	REV A
UNLESS OTHERWISE SPECIFIED TOLERANCE SEE ABOVE		APPROVED	