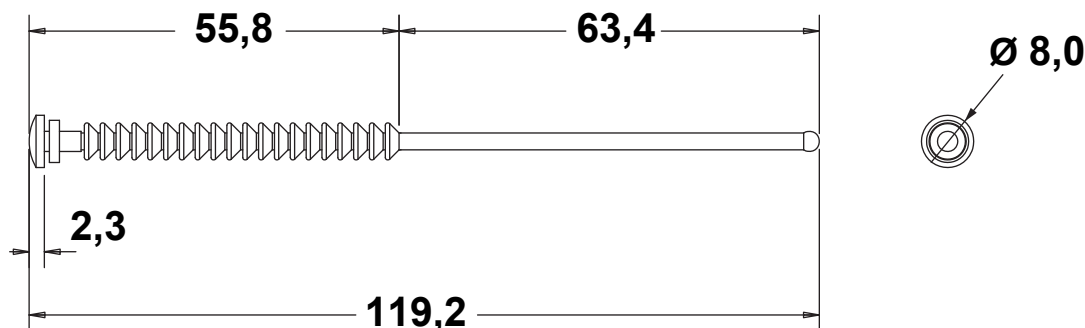



DIM.	TOL.
5mm DOWN	±0.2
5~20mm	±0.3
20~40mm	±0.4
40~60mm	±0.5
60~100mm	±0.8
100mm UP	±1.0

REVISIONS			
REV	DESCRIPTION	DATE	BY



FAN:
HOLE MOUNTING: Ø 3,2 - 4,5 mm
THICKNESS: 10,0 - 51,0 mm

PANEL:
HOLE MOUNTING: Ø 4,5 - 4,8 mm
THICKNESS: 1,0 - 1,5 mm

				TITLE FAN MULTI MOUNTS	
				MATERIAL SILICONE RUBBER SH A 40	DATE 29/07/2024
PART NUMBER 18458SI01				DRAWN E.B.	
DRAWING NUMBER 24.02.27.18458.0.E				CHECK	
COLOR BLACK				APPROVED	
SIZE A4	SCALE NTS	UNIT mm.	REV A	UNLESS OTHERWISE SPECIFIED TOLERANCE SEE ABOVE	