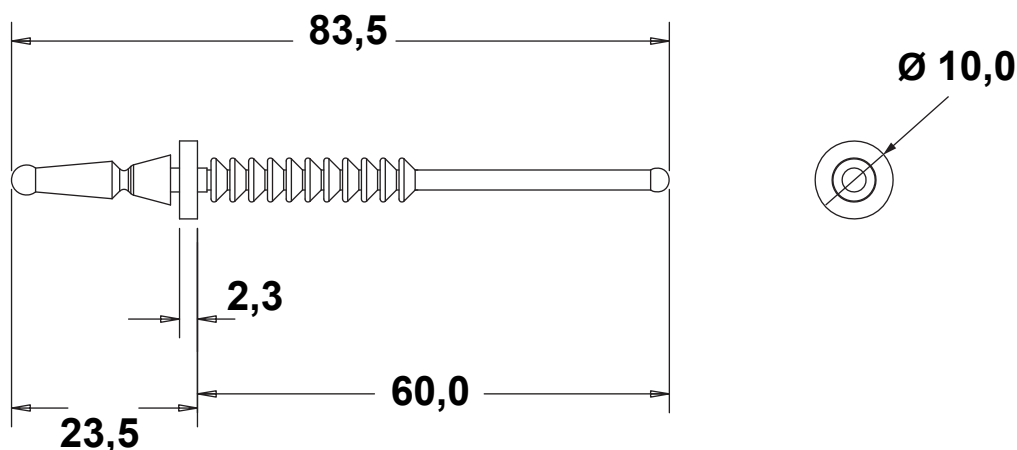


DIM.	TOL.
5mm DOWN	±0.2
5~20mm	±0.3
20~40mm	±0.4
40~60mm	±0.5
60~100mm	±0.8
100mm UP	±1.0


REVISIONS			
REV	DESCRIPTION	DATE	BY



FAN:
HOLE MOUNTING: Ø 3,2 - 3,5 mm
THICKNESS: up to 10,0 mm

HOLE MOUNTING: Ø 4,0 - 4,5 mm
THICKNESS: up to 25,0 mm

PANEL:
HOLE MOUNTING: Ø 4,5 - 5,0 mm
THICKNESS: 0,8 - 1,6 mm

				TITLE FAN MULTI MOUNTS	
				MATERIAL SILICONE RUBBER SH A 40	DATE 29/07/2024
PART NUMBER 18460SI01		DRAWING NUMBER 24.02.27.18460.0.E		COLOR BLACK	CHECK
SIZE A4	SCALE NTS	UNIT mm.	REV A	UNLESS OTHERWISE SPECIFIED TOLERANCE SEE ABOVE	APPROVED