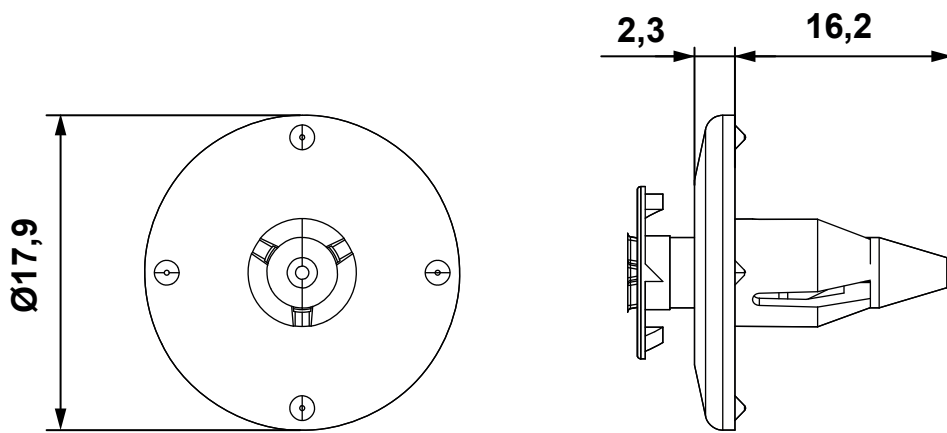



DIM.	TOL.
5mm DOWN	±0.2
5~20mm	±0.3
20~40mm	±0.4
40~60mm	±0.5
60~100mm	±0.8
100mm UP	±1.0

REVISIONS			
REV	DESCRIPTION	DATE	BY



**HOLE: Ø 6,0**  
**THICKNESS: 3,0 - 5,0**

				TITLE <b>QUARTER TURN RIVET</b>	
				MATERIAL POM HB(UL94)	
PART NUMBER <b>8095GA01</b>				DRAWING NUMBER 24.09.19.8095.0.E	
				DRAWN E.B.	
SIZE A4				SCALE NTS	
UNIT mm.		REV A		COLOR BLACK	
UNLESS OTHERWISE SPECIFIED TOLERANCE SEE ABOVE				APPROVED	