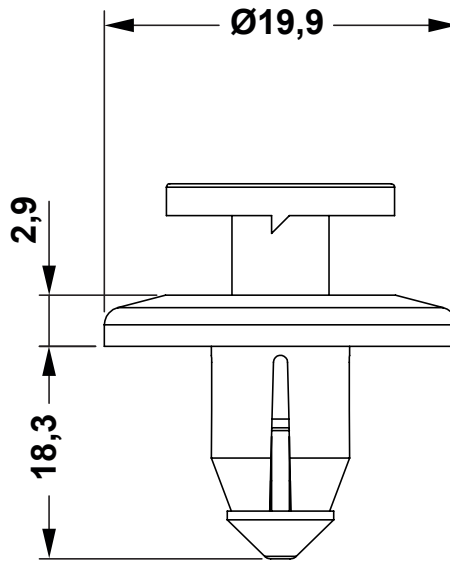



DIM.	TOL.
5mm DOWN	±0.2
5~20mm	±0.3
20~40mm	±0.4
40~60mm	±0.5
60~100mm	±0.8
100mm UP	±1.0

REVISIONS			
REV	DESCRIPTION	DATE	BY



HOLE: Ø 8,0
THICKNESS: 3,5 - 6,0

				TITLE QUARTER TURN RIVET	
				MATERIAL POM HB(UL94)	
PART NUMBER 8097GA01				DRAWING NUMBER 24.09.19.8097.0.E	
				DRAWN E.B.	
SIZE A4				SCALE NTS	
UNIT mm.		REV A		COLOR BLACK	
UNLESS OTHERWISE SPECIFIED TOLERANCE SEE ABOVE				APPROVED	