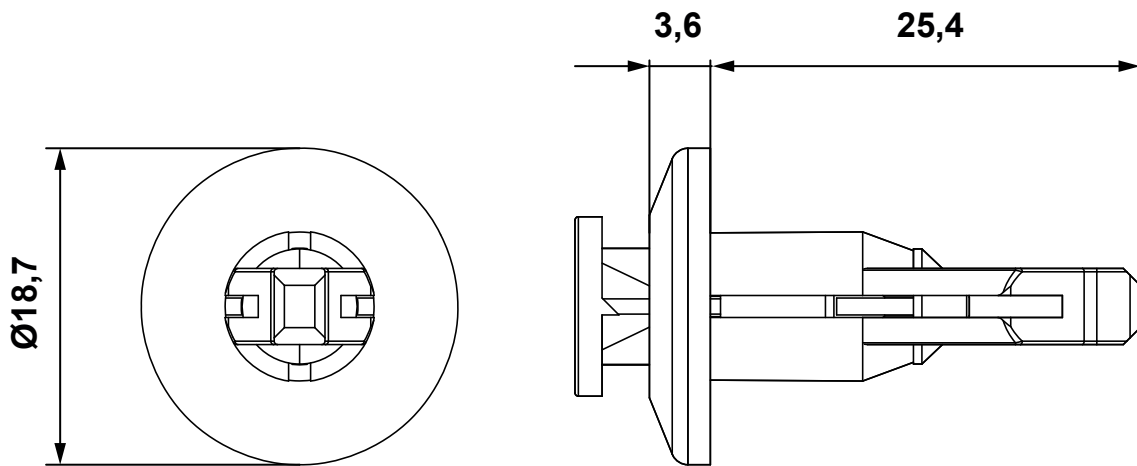



DIM.	TOL.
5mm DOWN	±0.2
5~20mm	±0.3
20~40mm	±0.4
40~60mm	±0.5
60~100mm	±0.8
100mm UP	±1.0

REVISIONS			
REV	DESCRIPTION	DATE	BY



**HOLE: Ø 9,0**  
**THICKNESS: 4,0 - 7,5**

				TITLE <b>QUARTER TURN RIVET</b>	
				MATERIAL POM HB(UL94)	
PART NUMBER 8098GA01				DRAWING NUMBER 24.09.19.8098.0.E	
COLOR BLACK				CHECK	
SIZE A4	SCALE NTS	UNIT mm.	REV A	UNLESS OTHERWISE SPECIFIED TOLERANCE SEE ABOVE	
				APPROVED	
				DRAWN E.B.	