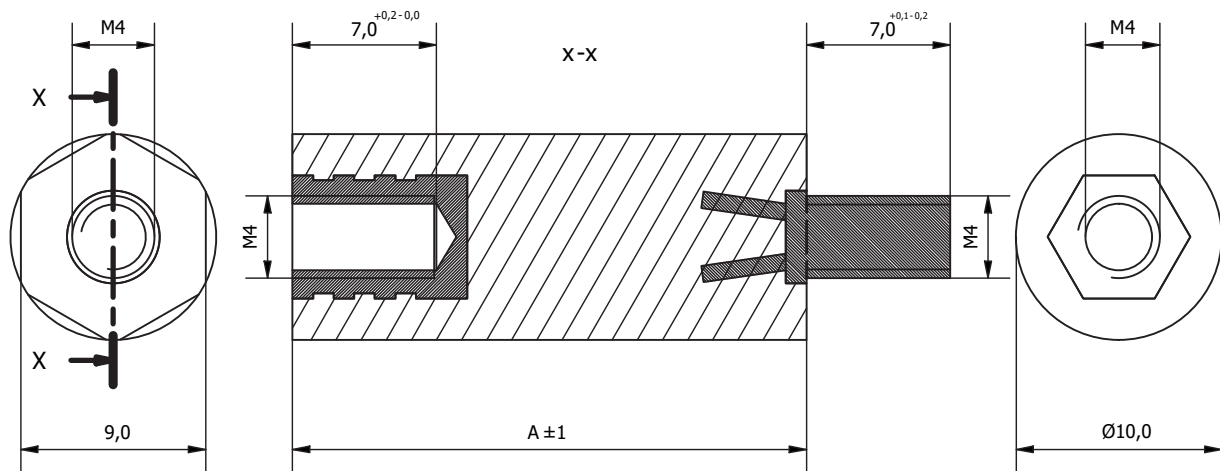


REVISIONS			
REV	DESCRIPTION	DATE	BY



P/N	A	P/N	A
10484DA1135.0	35.0	10484DA1170.0	70.0
10484DA1145.0	45.0	10484DA1175.0	75.0
10484DA1150.0	50.0	10484DA1180.0	80.0
10484DA1165.0	65.0	10484DA1185.0	85.0

Material:

Thread: zinc plated steel

Hexagon: polystreen

Flammability: UL94-HB

Temperature: -40°C ... +110°C



TITLE **INSULATING POLYSTYROL & STEEL P.C.B SPACERS**

MATERIAL BODY POLYSTREEN	DATE 16/09/2024
-----------------------------	--------------------

MATERIAL THREAD INSERT ZINC PLATED STEEL	DRAWN E.B
---	--------------

PART NUMBER SEE TABLE	DRAWING NUMBER 24.09.16.10484.0.E
--------------------------	--------------------------------------

COLOR GREY RAL 7035	CHECK
------------------------	-------

SIZE A4	SCALE NTS	UNIT mm.	REV A
------------	--------------	-------------	----------

UNLESS OTHERWISE SPECIFIED TOLERANCE SEE ABOVE	APPROVED
--	----------