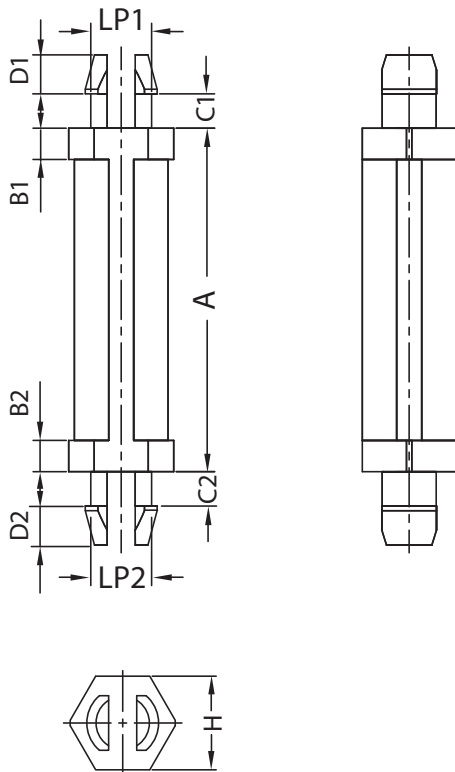


REVISIONS			
REV	DESCRIPTION	DATE	BY



P/N	LP 1	B 1	C 1	D1	LP 2	B 2	C 2	D2	A <sup>+/-0,1</sup>	H	Pack Size
12911AA01	Ø 4,0	2,0	1,6	2,5	Ø 2,5	2,0	1,5	2,0	3,0 - 65,0	6,0	500
12912AA01	Ø 4,0	2,0	1,6	2,5	Ø 4,0	2,0	1,6	2,5	3,0 - 65,0	6,0	500
12913AA01	Ø 4,0	2,0	1,6	2,9	Ø 4,0	2,2	2,0	2,5	3,0 - 65,0	6,0	500
12914AA01	Ø 4,0	2,2	2,0	2,5	Ø 4,0	2,2	2,0	2,5	3,0 - 65,0	6,0	500

**C1 + C2 = max. PCB Thickness**


By order pls add the length of the requested Part at the end of the Part No.

Example

xxxxAA0120.00 for a PCB Spacer with a length of 20.0mm

Temperaturbereich / Working Temperature: -35°C ~ +150°C



				TITLE PCB SPACER	
				MATERIAL PA66 UL94 HB	DATE 05.07.2018
PART NUMBER SEE TABLE				DRAWING NUMBER	
				FINISH	DRAWN S.W
SIZE A4				SCALE 3:1	
				UNIT mm.	REV B
COLOR BLACK				CHECK	
UNLESS OTHERWISE SPECIFIED TOLERANCE				APPROVED	