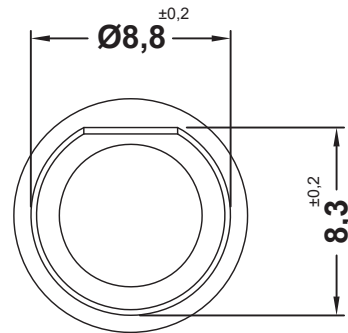
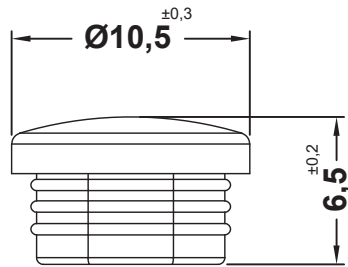
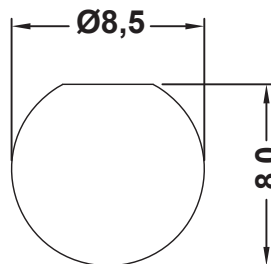


DIM.	TOL
L ≤ 10	±0.2
10 < L ≤ 30	±0.3
30 < L ≤ 50	±0.5
50 < L ≤ 100	±0.7
100 < L ≤ 250	±1.2
ABOVE 250	±1.5

REVISIONS			
REV	DESCRIPTION	DATE	BY



MOUNTING HOLES



TITLE HOLE PLUGS		MATERIAL TPE		DATE 28/07/2022	
		COLOR BLACK		DRAWN A.C.	
PART NUMBER 18234PS01		DRAWING NUMBER 22.07.28.18234X.E		CHECK	
SIZE A4	SCALE 3:1	UNIT mm.	REV A	UNLESS OTHERWISE SPECIFIED TOLERANCE SEE ABOVE	APPROVED