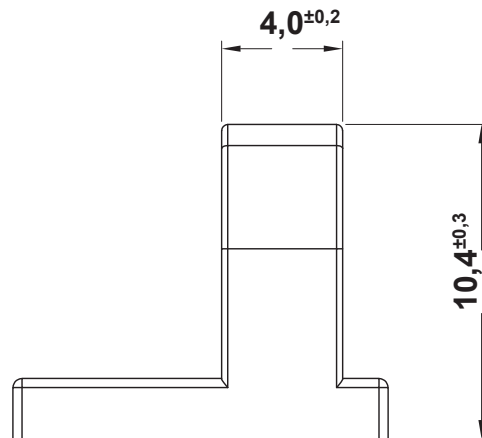
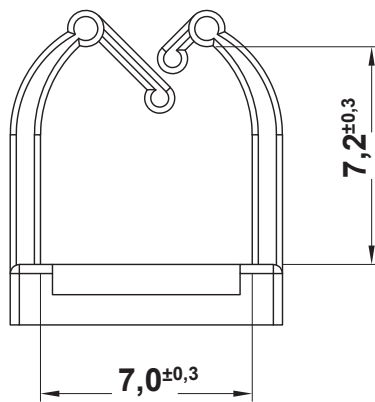
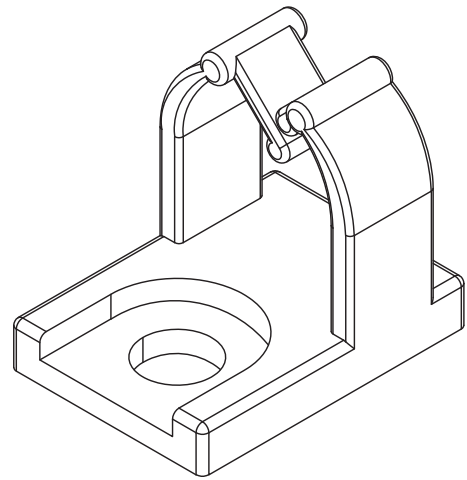
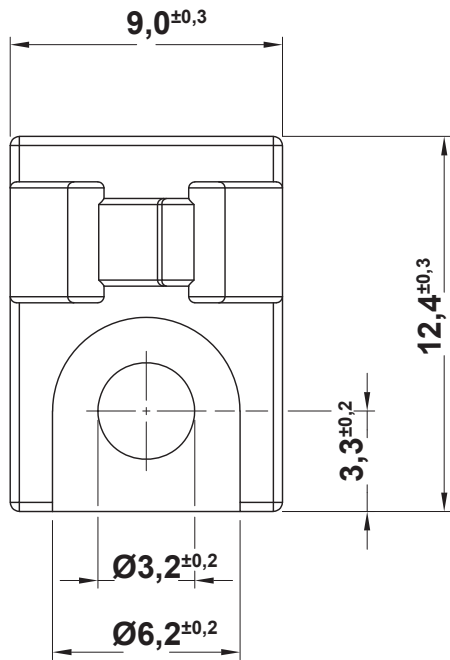



DIM.	TOL
L ≤ 10	±0.2
10 < L ≤ 30	±0.3
30 < L ≤ 50	±0.5
50 < L ≤ 100	±0.7
100 < L ≤ 250	±1.2
ABOVE 250	±1.5

REVISIONS			
REV	DESCRIPTION	DATE	BY



				TITLE WIRE SADDLE	
				MATERIAL PA 66	
PART NUMBER 18249AA00AS				DRAWING NUMBER 22.07.29.18249x.E	
UL94V-2				DRAWN A.C.	
COLOR				CHECK	
SIZE A4	SCALE 4:1	UNIT mm.	REV A	UNLESS OTHERWISE SPECIFIED TOLERANCE SEE ABOVE	
				APPROVED	