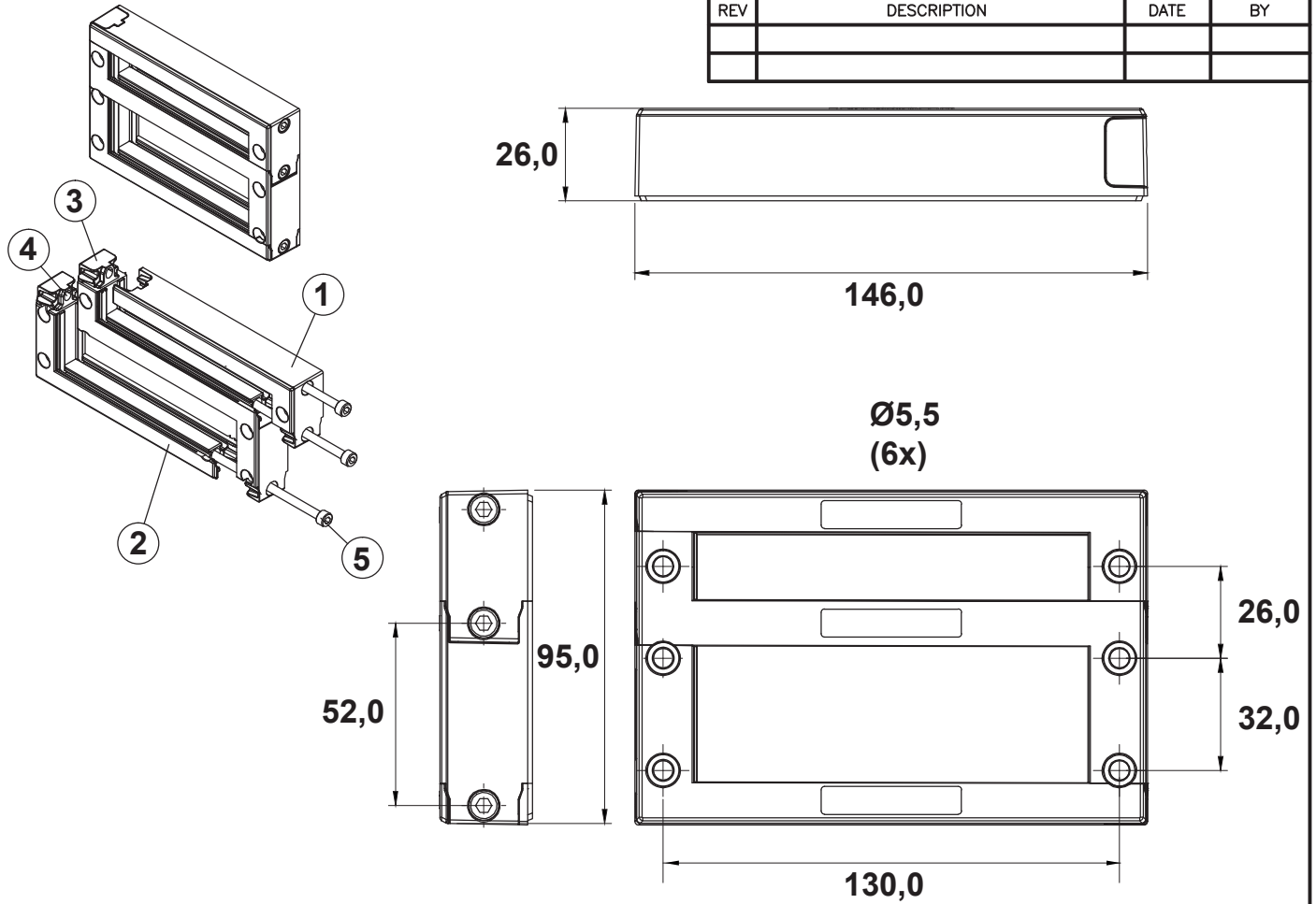


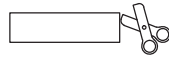
REVISIONS			
REV	DESCRIPTION	DATE	BY



Id	Description	Material	Q.ty
1	DES 24MX1	PP + GF	1
2	DES 24M inferiore	PP + GF	1
3	DMX1	PP + GF	1
4	Nut (Black dacromet finishing)	SS304	3
5	Screw Hex M5x0.8 L=140	SS304	3
6	Gasket (not shown)	NBR	1

**Flammability** : UL94-V0, self-extinguishing  
**Temperature**: -40°C ... +155°C  
**Proprieties** halogen-free, silicone-free

Reccomended cut-out:  
114 x 72 mm



	IP54		NEMA 12							IK10			
--	------	--	---------	--	--	--	--	--	--	------	--	--	--

		TITLE <b>SPLITTABLE FRAME FOR PRE-TERMINATED CABLES</b>	
		MATERIAL PA 6.6 V2(UL94)	DATE 19/03/2024
PART NUMBER 18935FG01		DRAWING NUMBER 24/03/19.18935.E	CHECK
SIZE A4	SCALE 1:2	UNIT mm.	REV A
UNLESS OTHERWISE SPECIFIED TOLERANCE		SEE ABOVE	APPROVED