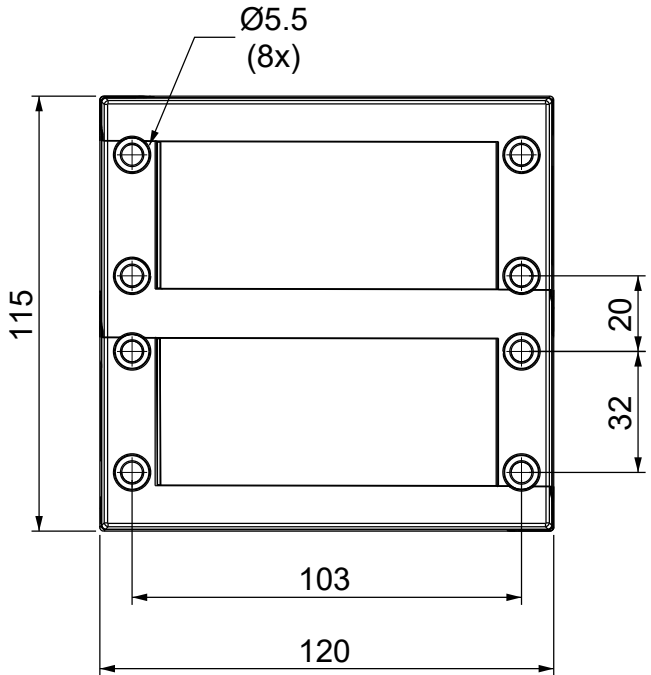
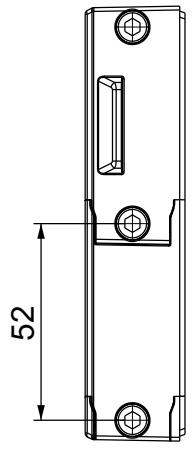
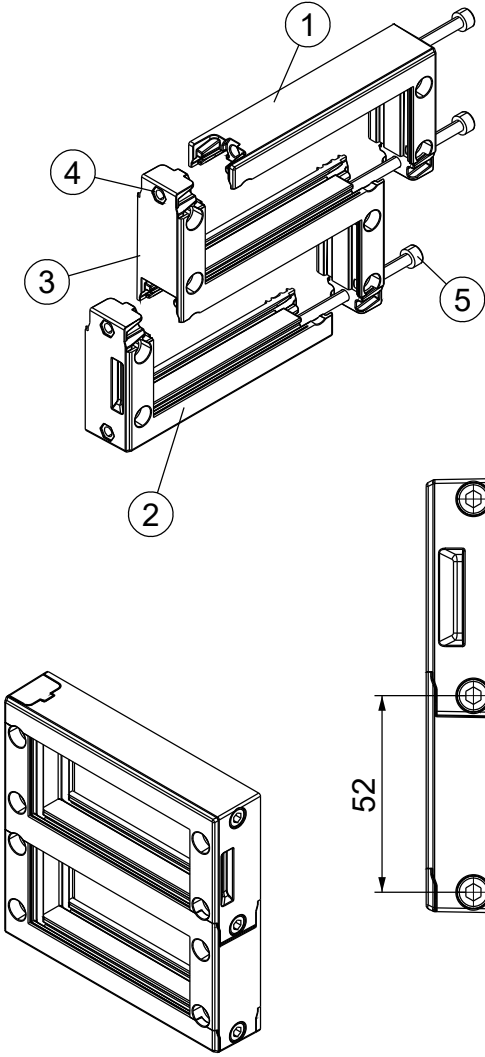


REVISIONS			
REV	DESCRIPTION	DATE	BY



Id	Description	Material	Q.ty
1	Top	PP + GF	1
2	Bottom	PP + GF	1
3	Middle	PP + GF	1
4	Nut (Black dacromet finishing)	SS304	3
5	Screw Hex M5x0.8 L=114	SS304	3
6	Gasket (not shown)	NBR	1

Flammability: UL94-V0, self-extinguishing
Temperature: -40°C ... +155°C
Properties: halogen-free, silicone-free

Recommended cut-out:
86 x 92 mm

CE	APPROVED MARINE TYPE	UL US pending
NEMA 12	HL3 EN 45545-2	IP54 IK10
ECOLAB	UL94-V0	UV ISO 4892-2A
		RoHS COMPLIANT

		TITLE CABLE GROMMET	
		MATERIAL SEE ABOVE	DATE 29/03/2024
PART NUMBER 18943FG01		DRAWN E.B.	
DRAWING NUMBER 24/03/29.18943.E		CHECK	
SIZE A4	SCALE 1:2	COLOR BLACK	APPROVED
UNIT mm.	REV A	UNLESS OTHERWISE SPECIFIED TOLERANCE SEE ABOVE	