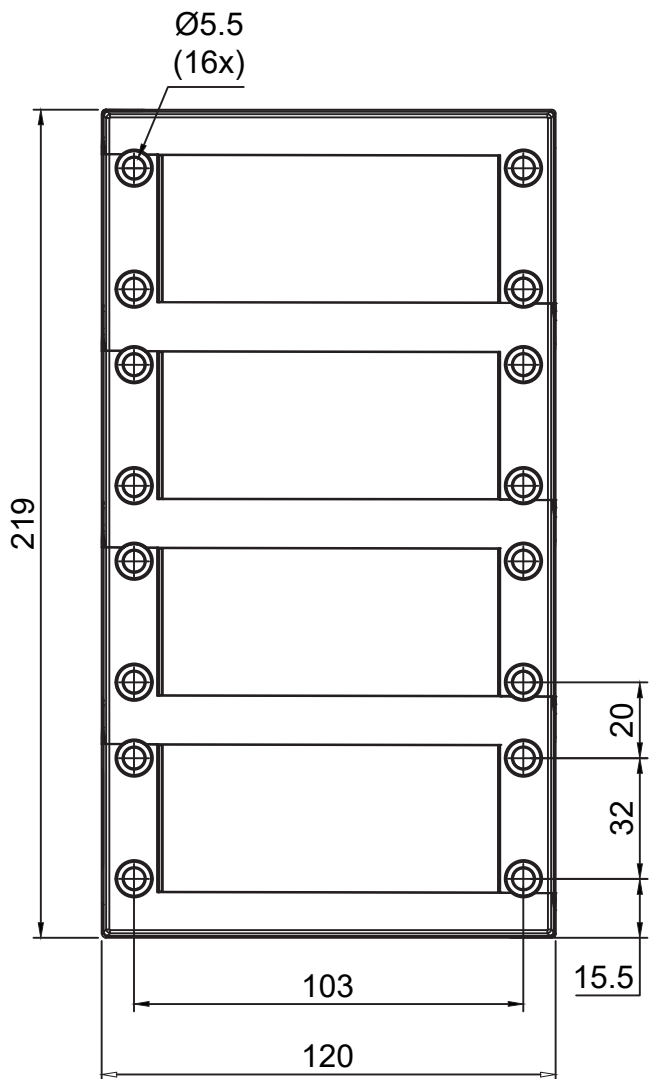
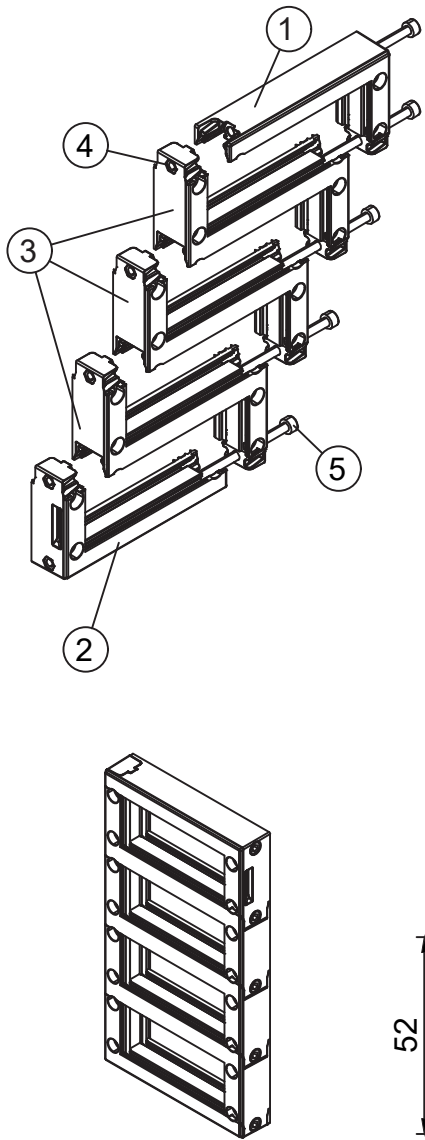


| REVISIONS | | | |
|-----------|-------------|------|----|
| REV | DESCRIPTION | DATE | BY |
| | | | |
| | | | |



| Id | Description | Material | Q.ty |
|----|--------------------------------|----------|------|
| 1 | Top | PP + GF | 1 |
| 2 | Bottom | PP + GF | 1 |
| 3 | Middle | PP + GF | 1 |
| 4 | Nut (Black dacromet finishing) | SS304 | 3 |
| 5 | Screw Hex M5x0.8 L=114 | SS304 | 3 |
| 6 | Gasket (not shown) | NBR | 1 |

Flammability: UL94-V0, self-extinguishing
Temperature: -40°C ... +155°C
Properties: halogen-free, silicone-free

Recommended cut-out:
 86 x 196 mm

| | | |
|---------|--|-----------|
| | | |
| NEMA 12 | | IP54 IK10 |
| | | |
| | | |

| | | | |
|------------------------------------|--------------|---------------------------------------------------|--------------------|
| | | TITLE CABLE GROMMET | |
| | | MATERIAL SEE ABOVE | DATE 29/03/2024 |
| PART NUMBER 18945FG01 | | DRAWN E.B. | |
| DRAWING NUMBER 24/03/29.18945.E | | CHECK | |
| SIZE A4 | SCALE 1:2 | COLOR BLACK | APPROVED |
| UNIT mm. | REV A | UNLESS OTHERWISE SPECIFIED TOLERANCE SEE ABOVE | |