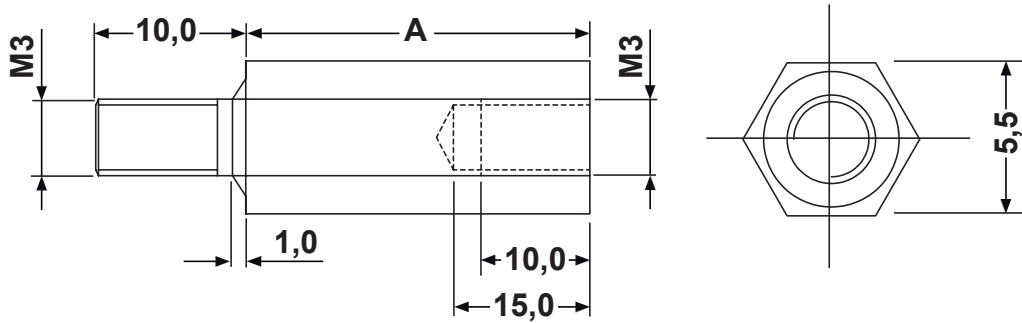



DIM.	TOL.
5mm DOWN	±0.2
5~20mm	±0.3
20~40mm	±0.4
40~60mm	±0.5
60~100mm	±0.8
100mm UP	±1.0

REVISIONS			
REV	DESCRIPTION	DATE	BY



P/N	A
7126MC94	25,0
7127MC94	30,0
7128MC94	35,0
7129MC94	40,0
7130MC94	50,0
7131MC94	60,0
7132MC94	70,0
7133MC94	80,0

		TITLE THREADED P.C.B. SPACERS	
		MATERIAL GALVANIZED STEEL	DATE 06/05/2019
PART NUMBER SEE TABLE		DRAWING NUMBER 19.05.06.71XX.0.E	
SIZE A4		SCALE NTS	
UNIT mm.		REV A	
COLOR		CHECK	
UNLESS OTHERWISE SPECIFIED TOLERANCE SEE ABOVE		APPROVED	