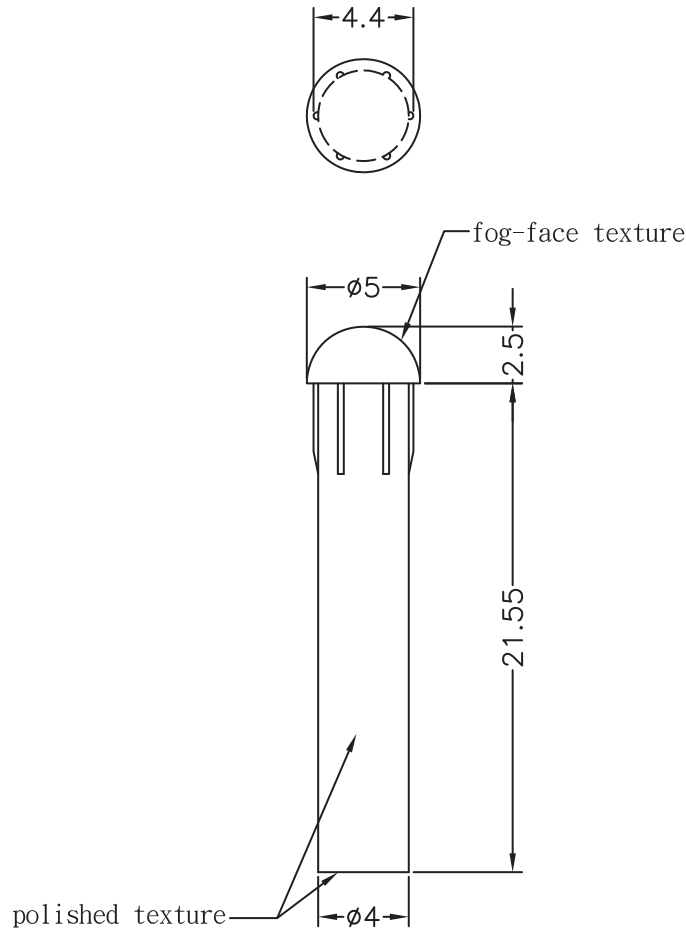



Dimensions	Tolerance
L≤10	±0.2
10<L≤30	±0.3
30<L≤50	±0.5
50<L≤100	±0.7
100<L≤250	±1.2
ABOVE 250	±1.5

REVISIONS			
REV	DESCRIPTION	DATE	BY



NOTE:

1. Measurement does not include gate which raises under 0.3 mm

		TITLE		LIGHT PIPE	
		MATERIAL		DATE	
		PC UL94V-2		16/09/2016	
PART NUMBER		DRAWING NUMBER		DRAWN	
10615NA00		16.09.16.10615.0.E		R.F.	
SIZE		UNIT		CHECK	
A4		mm			
SCALE		REV		UNLESS OTHERWISE SPECIFIED TOLERANCE	
NTS		A		SEE ABOVE	
APPROVED					