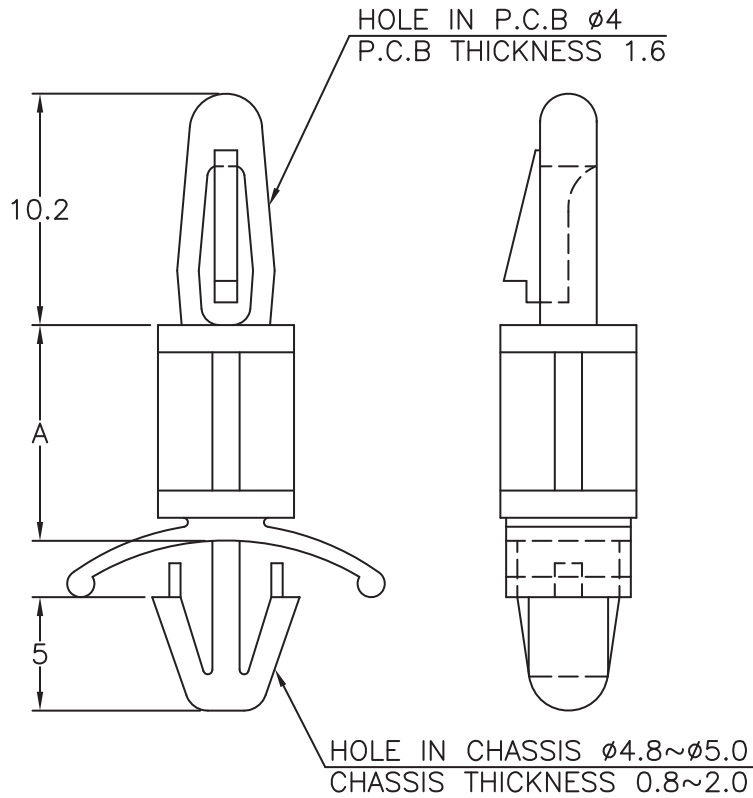


DIM.	TOL
5mm DOWN	±0.2
5~20mm	±0.3
20~40mm	±0.4
40~60mm	±0.5
60~100mm	±0.8
100mm UP	±1.0

REVISIONS			
REV	DESCRIPTION	DATE	BY



PART NO.	A
5905AA00	3.5
5906AA00	4.8
10894AA00	6.0
10895AA00	6.4
5907AA00	7.9
10896AA00	9.5
5902AA00	19.1
5903AA00	22.2
5904AA00	24.0
5908AA00	25.4
5909AA00	28.6
5910AA00	31.1
5911AA00	34.9



TITLE
DUAL LOCKING PCB SPACER

MATERIAL
PA66 V2 UL94

DATE
17/06/2015

FINISH
COLOR
NATURAL

DRAWN
D.C.

PART NUMBER
SEE TABLE

DRAWING NUMBER
11.05.17.5905.0.E

UNLESS OTHERWISE SPECIFIED
TOLERANCE

APPROVED

SIZE
A4

SCALE
NTS

UNIT
mm.

REV
C