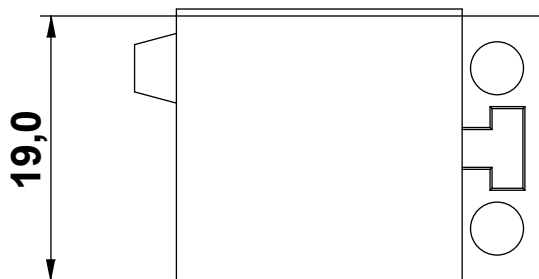
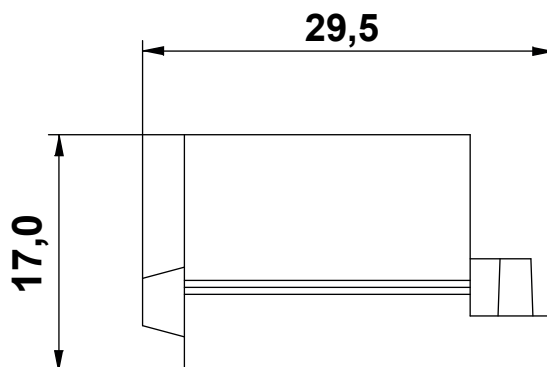


DIM.	TOL.
5mm DOWN	±0.2
5~20mm	±0.3
20~40mm	±0.4
40~60mm	±0.5
60~100mm	±0.8
100mm UP	±1.0

REVISIONS			
REV	DESCRIPTION	DATE	BY



WORKING TEMPERATURE: -40°C ~ +80°C
IP RATING: IP65

		TITLE CABLE GROMMET IP65	
		MATERIAL TPE V0 (UL94)	DATE 29/02/2024
PART NUMBER 18891PS11		DRAWING NUMBER 24.02.29.18891.0.E	
DRAWING NUMBER 24.02.29.18891.0.E		COLOR GREY	CHECK
SIZE A4	SCALE NTS	UNIT mm.	REV A
UNLESS OTHERWISE SPECIFIED TOLERANCE SEE ABOVE		APPROVED	