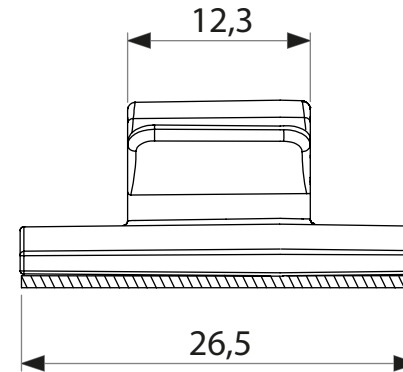
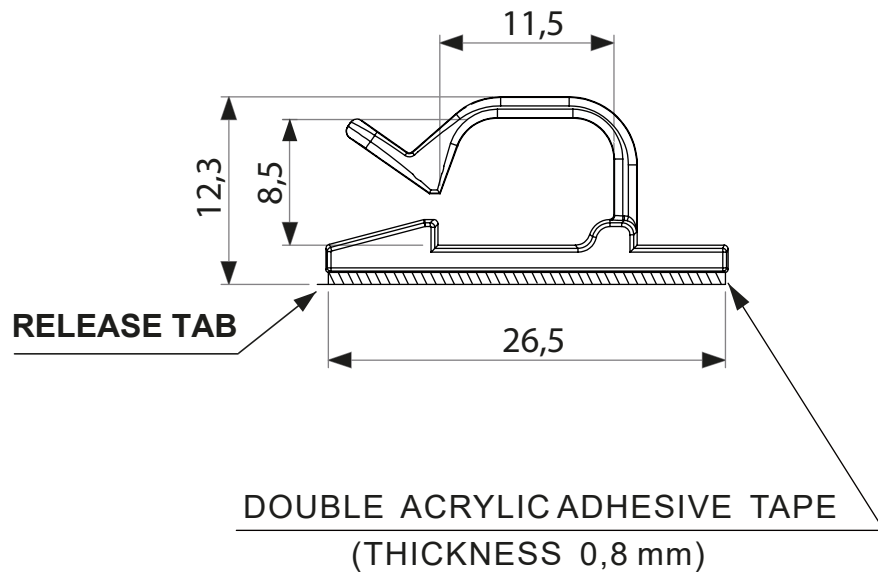


DIM.	TOL
5mm DOWN	±0.2
5~20mm	±0.3
20~40mm	±0.4
40~60mm	±0.5
60~100mm	±0.8
100mm UP	±1.0



REV.	DESCRIPTION	DATE
	MATERIAL: PA66 V2 (UL94)	
	COLOUR: NATURAL	
	OPERATING TEMPERATURE ADHESIVE: -40°C ~100°C	

<b>TITLE: SELF ADHESIVE CABLE CLIP</b>		DWG UNIT: MM	
Modelled in RHINO 4.0		FILE:	ChkD:
TOLLERANCES UNLESS NOTED .XX= +/-010 .XXX= +/-005 FRAC.=+/- 1/64 ANG.=+/-1°		DwN: 12/11/12	DT: 12.11.12.0039.E.0
SHEET: 1 OF 1		Part Number: 0039AA00CS	
SCALE: NTS			