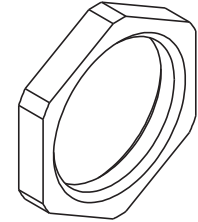
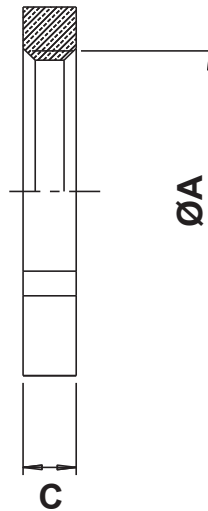
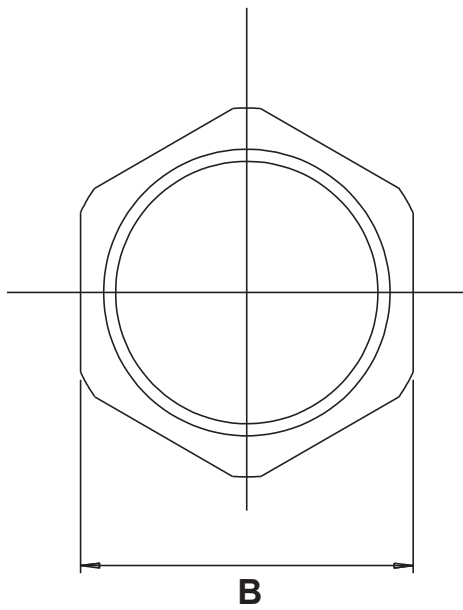


REVISIONS			
REV	DESCRIPTION	DATE	BY



P/N	A	B	C
15182MA92	M 12 x 1,50	15,0	3,0
15183MA92	M 16 x 1,50	20,0	3,0
15184MA92	M 20 x 1,50	24,0	3,5
15185MA92	M 25 x 1,50	30,0	3,5
15186MA92	M 32 x 1,50	35,0	4,5
15187MA92	M 40 x 1,50	45,0	4,5
15188MA92	M 50 x 1,50	55,0	5,5
15189MA92	M 63 x 1,50	70,0	6,0



TITLE  
**BRASS METRIC THREAD HEXAGONAL LOCKNUTS**

MATERIAL  
NICKEL PLATED BRASS

DATE  
08/03/2022

DRAWN  
A.C.

CHECK

UNLESS OTHERWISE SPECIFIED TOLERANCE

APPROVED

PART NUMBER  
SEE TABLE

DRAWING NUMBER  
22.03.08.151XX.0.E

SIZE  
A4

SCALE  
NTS

UNIT  
mm.

REV  
A