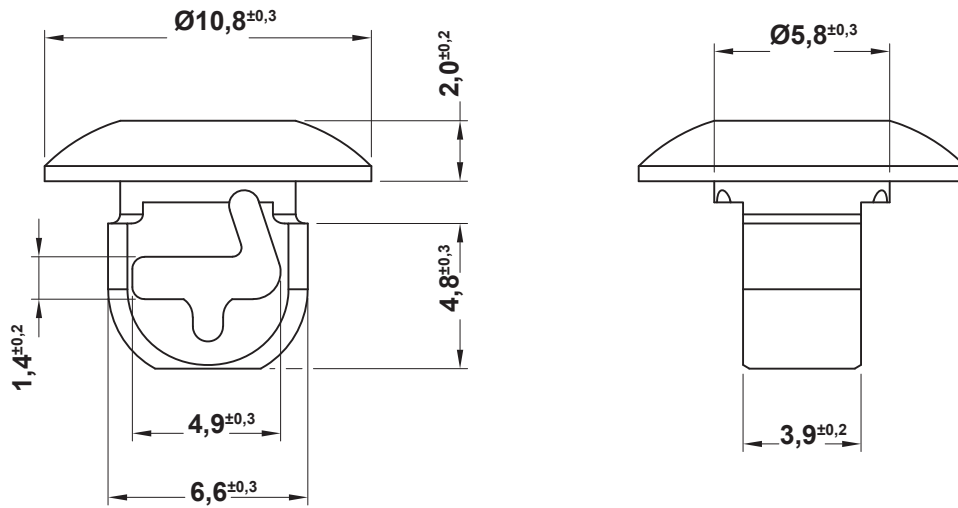



REVISIONS			
REV	DESCRIPTION	DATE	BY



MOUNTING HOLE: Ø6,4
THICKNESS: 1,3

		TITLE CABLE TIE MOUNT	
		MATERIAL PA 6.6 V2(UL94)	DATE 18/02/2025
PART NUMBER 19379AA00		DRAWING NUMBER 25/02/18.19379.E	
DRAWING NUMBER 25/02/18.19379.E		COLOR NATURAL	CHECK
SIZE A4	SCALE 4:1	UNIT mm.	REV A
UNLESS OTHERWISE SPECIFIED TOLERANCE SEE ABOVE		APPROVED	