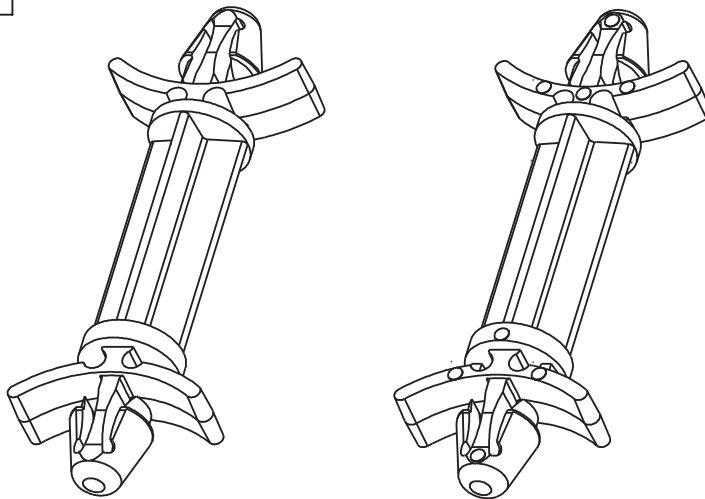
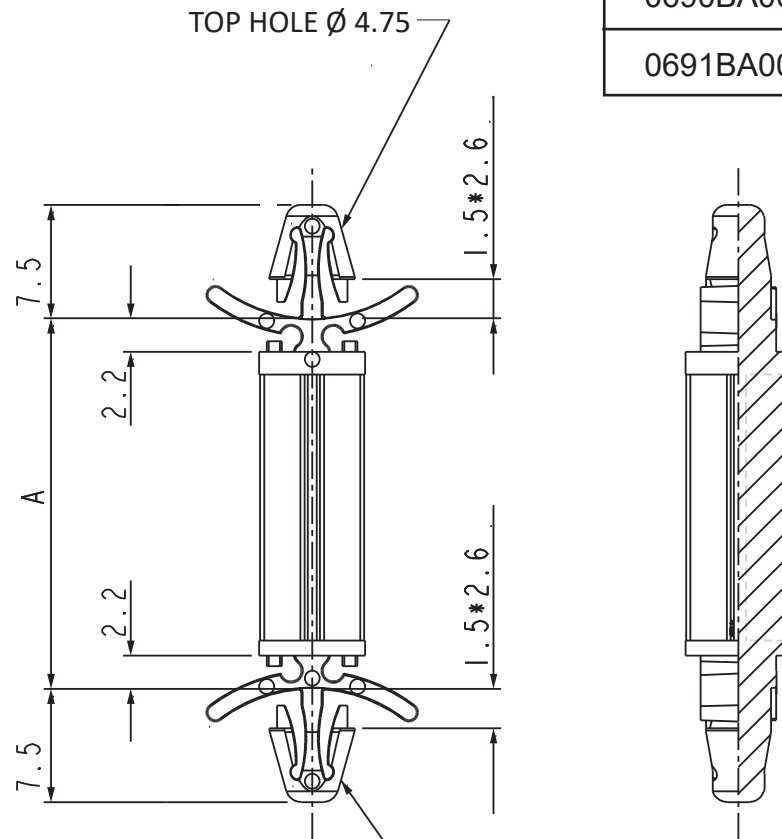


DIM.	TOL.
5mm DOWN	±0.2
5~20mm	±0.3
20~40mm	±0.4
40~60mm	±0.5
60~100mm	±0.8
100mm UP	±1.0

REVISIONS			
REV	DESCRIPTION	DATE	BY



PART.No	A
0686BA00	8,5
0687BA00	11,7
0688BA00	14,8
0689BA00	18,0
0690BA00	21,2
0691BA00	24,8



NOTE:
Panel thickness 1,5 - 2,6 mm

BOTTOM HOLE Ø 4.75



fastpoint		TITLE		DUAL LOCKING P.C.B. SPACERS	
		MATERIAL	PA6.6 UL94V-2	DATE	18/02/2022
		ADESIVO		DRAWN	A.C.
PART NUMBER		DRAWING NUMBER		COLOR	
SEE TABLE		22.02.18.0686.0.E		NATURAL	
SIZE	SCALE	UNIT	REV	UNLESS OTHERWISE SPECIFIED TOLERANCE	
A4	2:1	mm	B	SEE ABOVE	
				CHECK	APPROVED