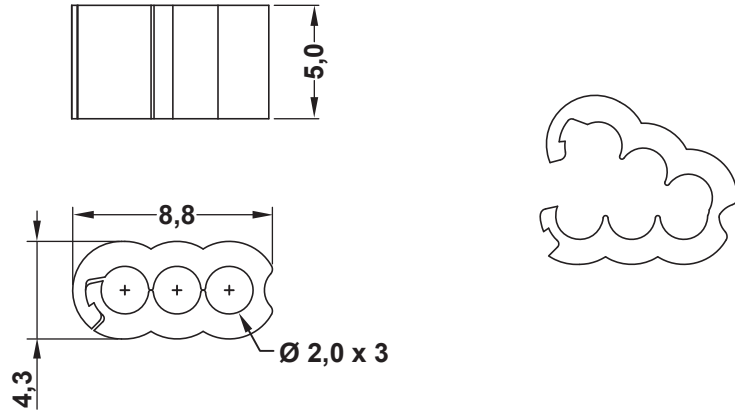
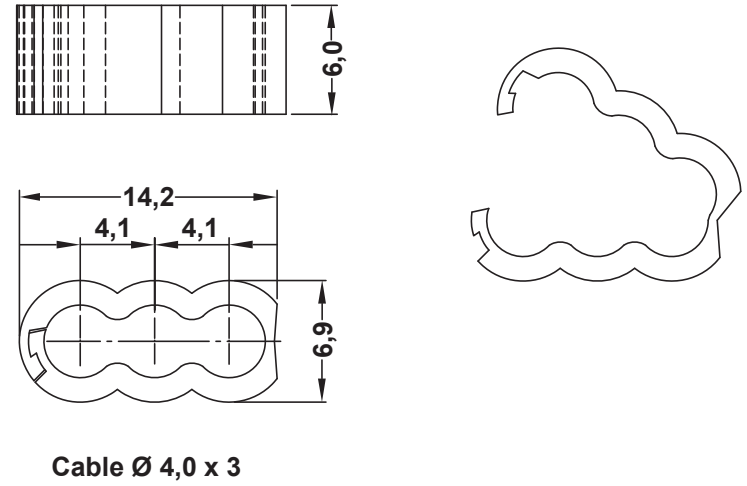


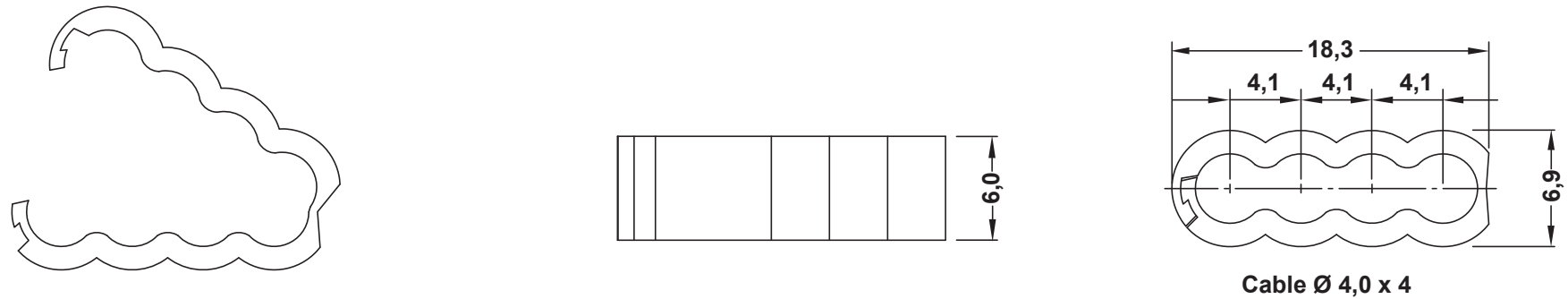
PN 11344AA01



PN 11345AA01



PN 11346AA01



	DESCRIPTION		TITLE:	WIRE GUIDE CLAMP			DWG UNIT:
MATERIAL:	PA66 UL94 V2 Colour Black		Modelled in RHINO 4.0	FILE:	DwN: 01/03/17	ChkD:	MM
			TOLLERANCES	SHEET: 1 OF 1	DT:17.03.01.113XX.0.E	Part Number:11344 - 11345 - 11346AA01	
			DIN ISO 2768 m	SCALE:			
REV.				NTS			