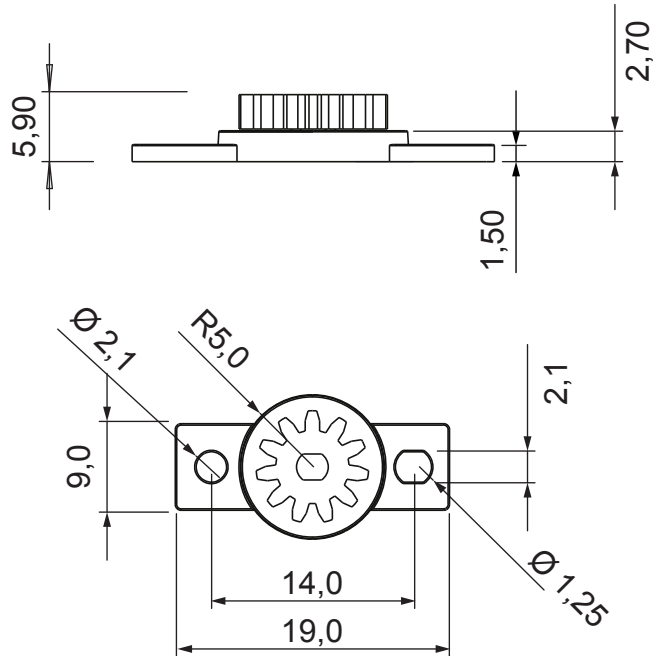



DIM.	TOL.
5mm DOWN	±0.2
5~20mm	±0.3
20~40mm	±0.4
40~60mm	±0.5
60~100mm	±0.8
100mm UP	±1.0

REVISIONS			
REV	DESCRIPTION	DATE	BY



P/N	TORQUE RATING (Ncm)
12297XX01ZS	0.15-0.25
12298XX01ZS	0.25-0.35
12299XX01ZS	0.35-0.50

		TITLE MINI-ROTARY DUMPER	
		MATERIAL ABS-POM	DATE 8/06/2022
PART NUMBER SEE TABLE		DRAWING NUMBER	
COLOR BLACK		CHECK	
SIZE A4	SCALE NTS	UNIT mm.	REV A
UNLESS OTHERWISE SPECIFIED TOLERANCE SEE ABOVE		APPROVED	