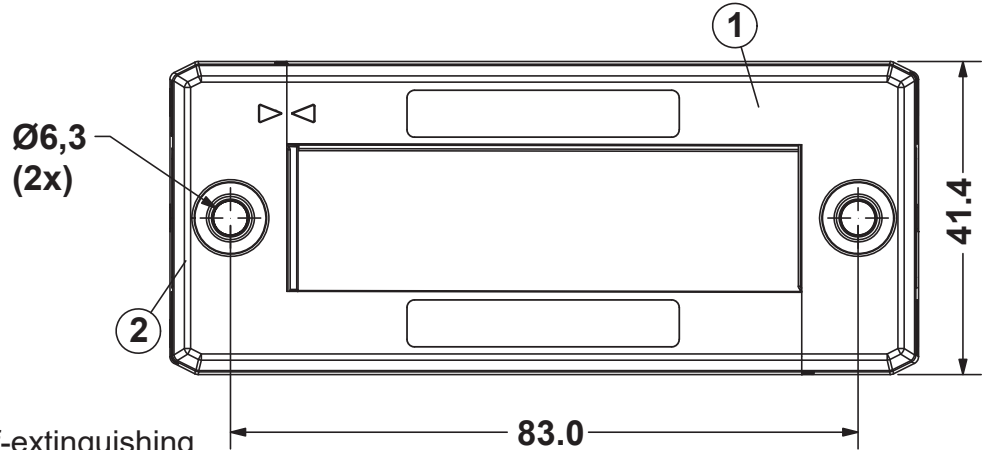
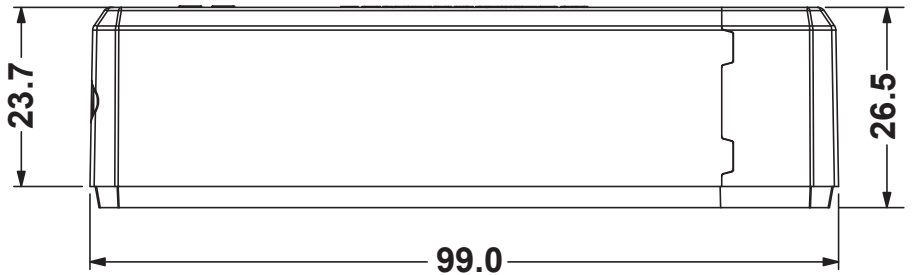
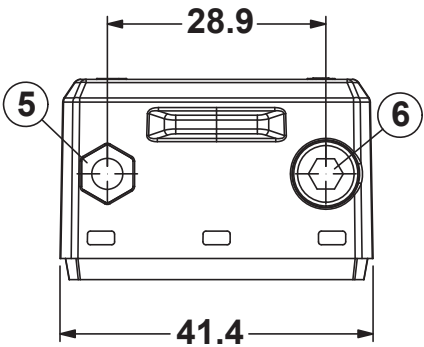
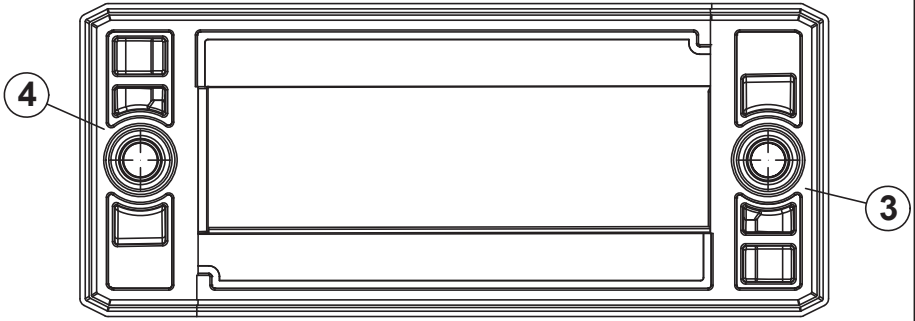
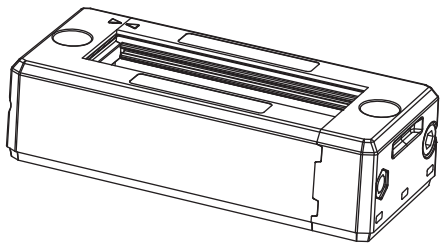


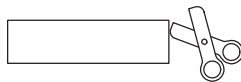
REVISIONS			
REV	DESCRIPTION	DATE	BY



Flammability: UL94-V0, self-extinguishing
 Temperature: -40°C ... +155°C
 Properties: halogen-free, silicone-free

ID	Description	Material	Q.ty
1	Top	PP + GF	1
2	Bottom	PP + GF	1
3	TPE Top	TPE	1
4	TPE Bottom	TPE	1
5	Nut	SS304	2
6	Screw 93	SS304	2

Recommended cut-out:
63 x 18 mm



		TITLE SPLITTABLE FRAME FOR PRE-TERMINATED CABLES	
		MATERIAL SEE ABOVE	DATE 05/09/2019
PART NUMBER 16001FG01		DRAWING NUMBER 19.09.05.16001.0.E	COLOUR FRAME BLACK
SIZE A4	SCALE 1:1	UNIT mm.	REV A
UNLESS OTHERWISE SPECIFIED TOLERANCE		APPROVED	