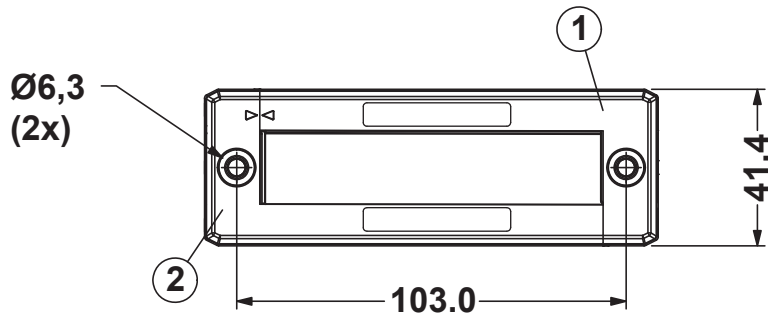
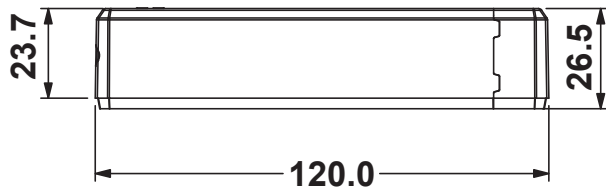
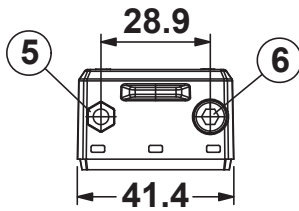
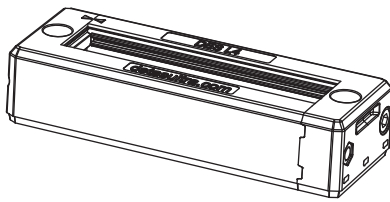


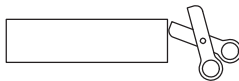
REVISIONS			
REV	DESCRIPTION	DATE	BY



Flammability: UL94-V0, self-extinguishing  
 Temperature: -40°C ... +155°C  
 Properties: halogen-free, silicone-free

ID	Description	Material	Q.ty
1	Top	PP + GF	1
2	Bottom	PP + GF	1
3	TPE Top	TPE	1
4	TPE Bottom	TPE	1
5	Nut	SS304	2
6	Screw 114	SS304	2

Recommended cut-out:  
86 x 18 mm




		TITLE <b>SPLITTABLE FRAME FOR PRE-TERMINATED CABLES</b>	
		MATERIAL SEE ABOVE	DATE 05/09/2019
PART NUMBER 16002FG01		DRAWING NUMBER 19.09.05.16002.0.E	COLOUR FRAME BLACK
SIZE A4	SCALE 1:2	UNIT mm.	REV A
UNLESS OTHERWISE SPECIFIED TOLERANCE		APPROVED	