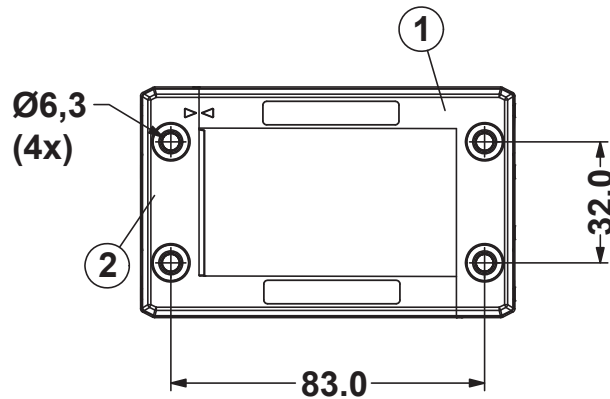
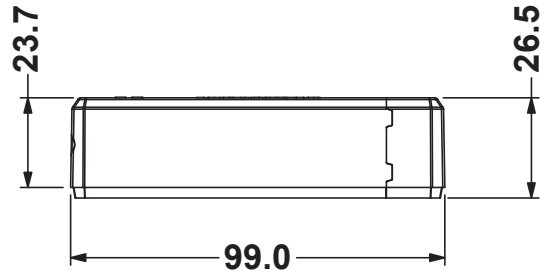
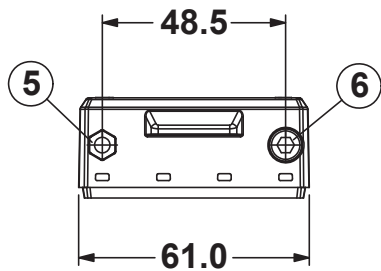
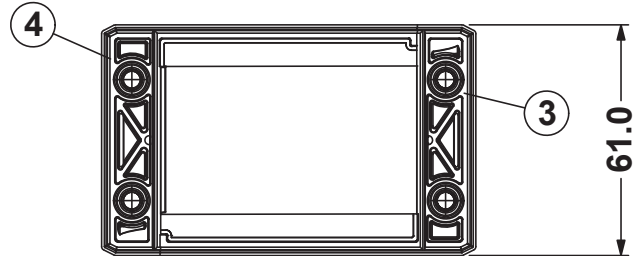
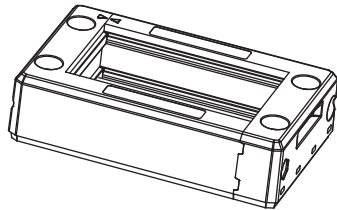


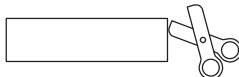
REVISIONS			
REV	DESCRIPTION	DATE	BY



Flammability: UL94-V0, self-extinguishing
 Temperature: -40°C ... +155°C
 Properties: halogen-free, silicone-free

ID	Description	Material	Q.ty
1	Top	PP + GF	1
2	Bottom	PP + GF	1
3	TPE Top	TPE	1
4	TPE Bottom	TPE	1
5	Nut	SS304	2
6	Screw 93	SS304	2

Recommended cut-out:
63 x 39 mm



	NEMA 4X			
		RoHS COMPLIANT	IK10	
	+155 -40 °C	CE	IP66	NEMA 12



TITLE	
SPLITTABLE FRAME FOR PRE-TERMINATED CABLES	
MATERIAL	DATE
SEE ABOVE	02/09/2019
	DRAWN
	R.F.
COLOUR FRAME	CHECK
BLACK DACROMET	
UNLESS OTHERWISE SPECIFIED TOLERANCE	APPROVED

PART NUMBER		DRAWING NUMBER	
16005FG01		19.09.02.16005.0.E	
SIZE	SCALE	UNIT	REV
A4	1:2	mm.	A