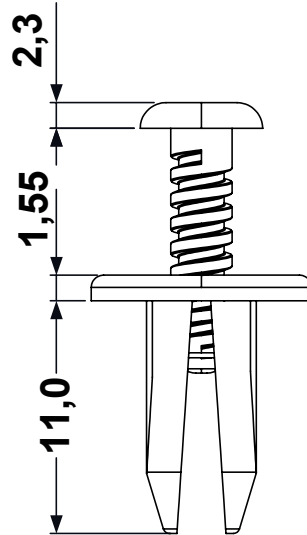
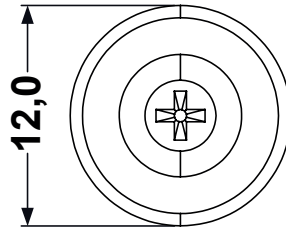



DIM.	TOL.
5mm DOWN	±0.2
5~20mm	±0.3
20~40mm	±0.4
40~60mm	±0.5
60 100mm	±0.8
100mm UP	±1.0

REVISIONS			
REV	DESCRIPTION	DATE	BY



PANEL HOLE Ø 5,0 mm
THICKNESS 3,8 - 6,0mm

		TITLE SCRIVETS	
		MATERIAL PA66 V2 (UL94)	DATE 12/07/2022
		COLOR BLACK	DRAWN A.C.
PART NUMBER 8110AA01		DRAWING NUMBER 22.07.12.8110.0.E	
SIZE A4	SCALE NTS	UNIT mm	REV C
UNLESS OTHERWISE SPECIFIED TOLERANCE SEE ABOVE			CHECK APPROVED