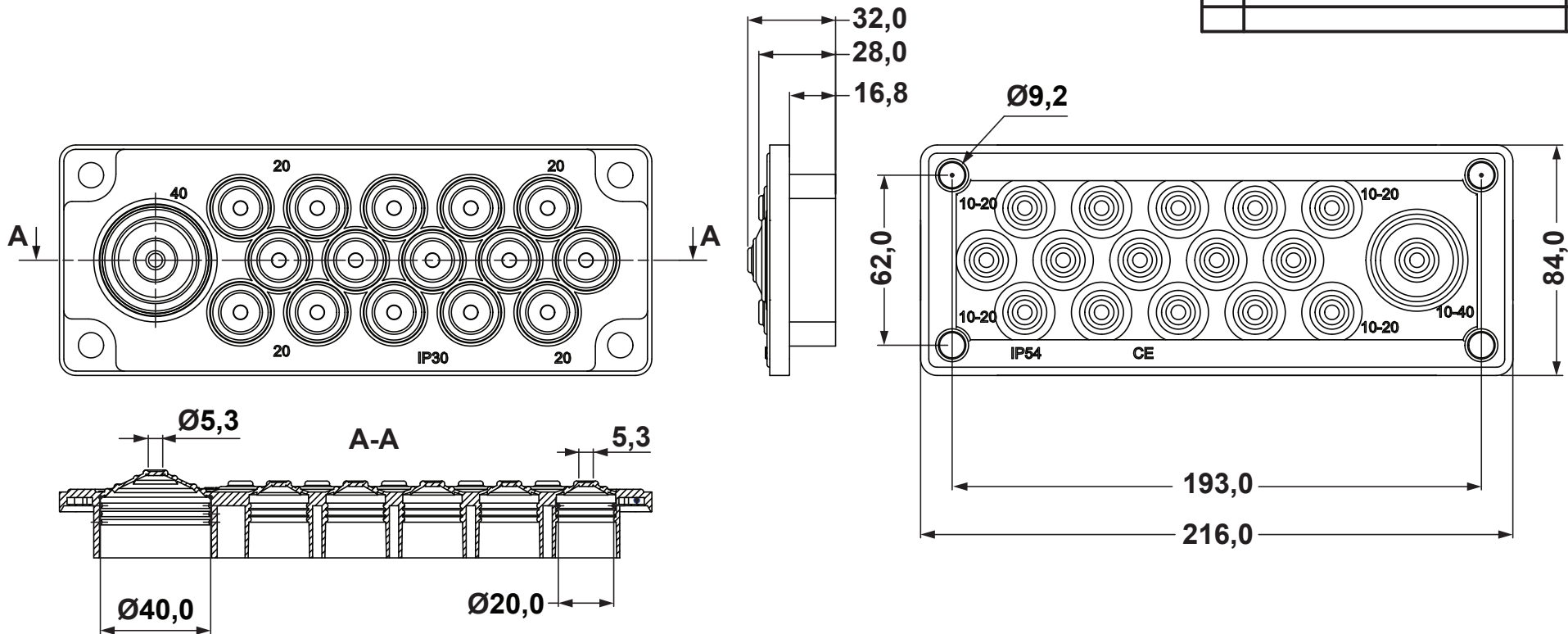


REVISIONS			
REV	DESCRIPTION	DATE	BY



NOTES:

Working temperature: -40°C/+130°C

Measurements C-hole:

216mm x 84mm

Fastening hole: 10 mm

Fastening holes distance: 193 mm / 62 mm

Halogen-free / oil splatter resistant / in and outdoor

IP protection: upcidelIP54 , undercidelIP30

Lead-through:

1x40mm

15x20mm

max 16 cables

REV.	DESCRIPTION	DATE	TITLE: MODULAR GLAND PLATES IP 54 – PRECONFIGURATE	DWG UNIT: MM
	MATERIAL: TPE – SEBS 50 Sha		Modelled in RHINO 4.0	FILE: 09/04/20
	COLOUR: GREY RAL 7035		TOLLERANCES UNLESS NOTED	DwN: DT:20.04.09.12105.E.0
			2768-mK	ChkD: Part Number: 12105PF117035
			SCALE: NTS	

