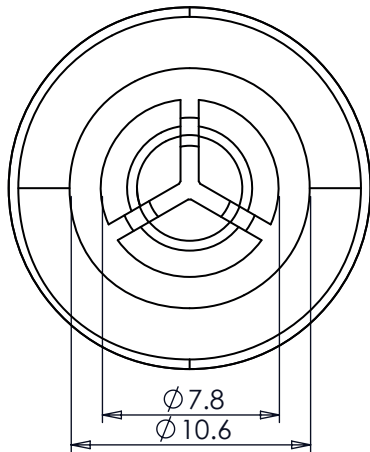
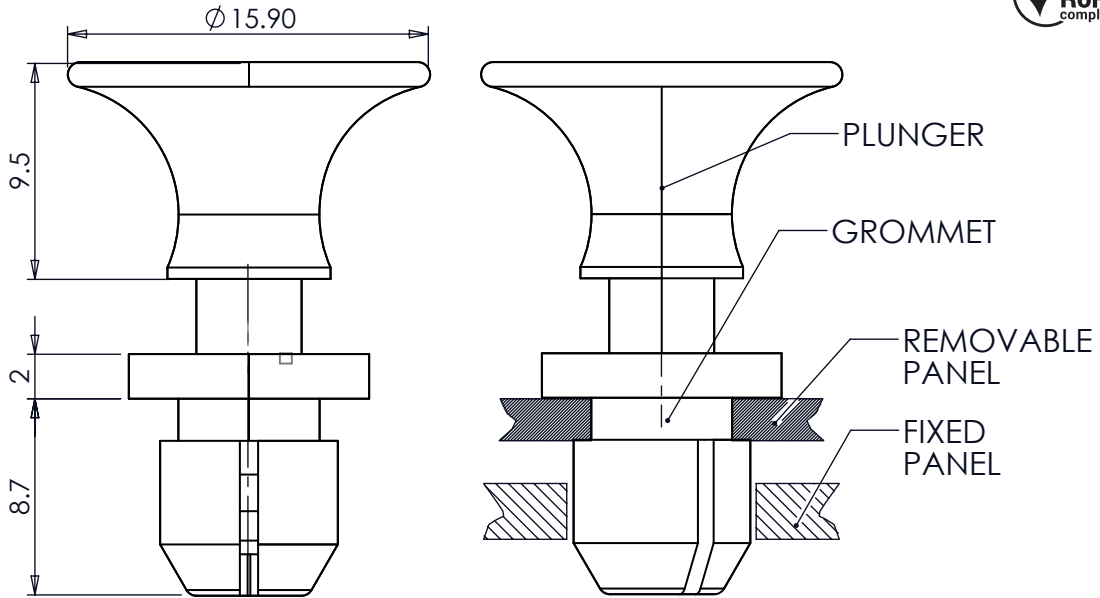


DIM.	TOL.
5mm DOWN	±0.2
5~20mm	±0.3
20~40mm	±0.4
40~60mm	±0.5
60~100mm	±0.8
100mm UP	±1.0

REVISIONS			
REV	DESCRIPTION	DATE	BY



HOLE SIZE FIXED PANEL	HOLE SIZE REMOVABLE PANEL	PANEL RANGE FIXED PANEL		PANEL RANGE REMOVABLE PANEL	
		MIN	MAX	MIN	MAX
Ø 7,8	7,6	-	3,0	1,4	1,6

				TITLE SNAP LATCH	
				MATERIAL PA66 V2(UL94)	DATE 28/04/2025
PART NUMBER 19492AA01				DRAWN E.B.	
				DRAWING NUMBER 25.04.28.19492.E	
COLOR BLACK				CHECK	
SIZE A4	SCALE NTS	UNIT mm.	REV A	UNLESS OTHERWISE SPECIFIED TOLERANCE SEE ABOVE	
				APPROVED	