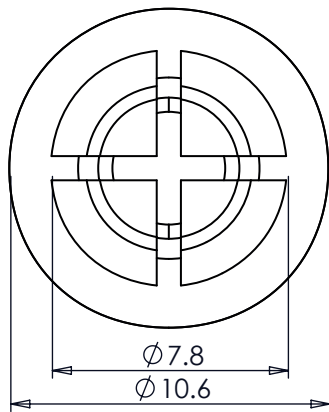
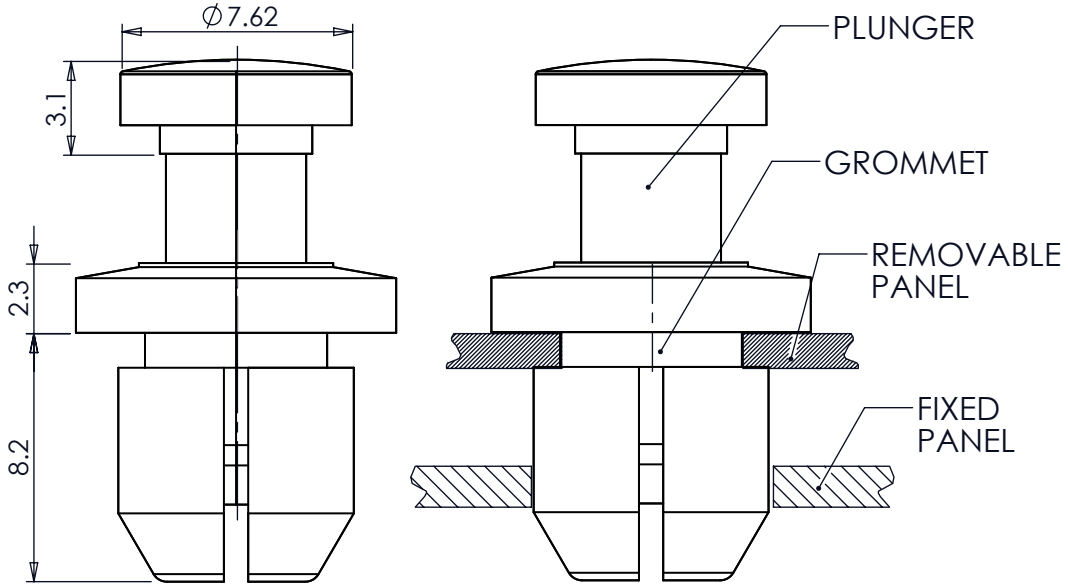


DIM.	TOL.
5mm DOWN	±0.2
5~20mm	±0.3
20~40mm	±0.4
40~60mm	±0.5
60~100mm	±0.8
100mm UP	±1.0

REVISIONS			
REV	DESCRIPTION	DATE	BY



HOLE SIZE FIXED PANEL	HOLE SIZE REMOVABLE PANEL	PANEL RANGE FIXED PANEL		PANEL RANGE REMOVABLE PANEL	
		MIN	MAX	MIN	MAX
Ø8,0	7,8	-	4,2	0,7	0,9

				TITLE <b>SNAP LATCH</b>	
				MATERIAL PA66 V2(UL94)	
PART NUMBER 19493AA01				DRAWN E.B.	
				DRAWING NUMBER 25.04.28.19493.E	
SIZE A4				COLOR BLACK	
SCALE NTS		UNIT mm.		UNLESS OTHERWISE SPECIFIED TOLERANCE SEE ABOVE	
REV A		APPROVED			