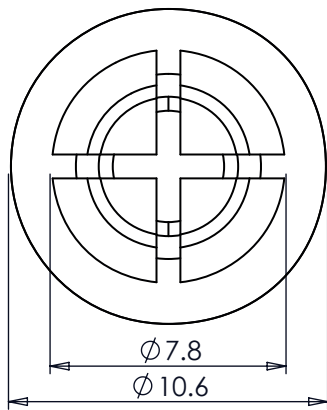
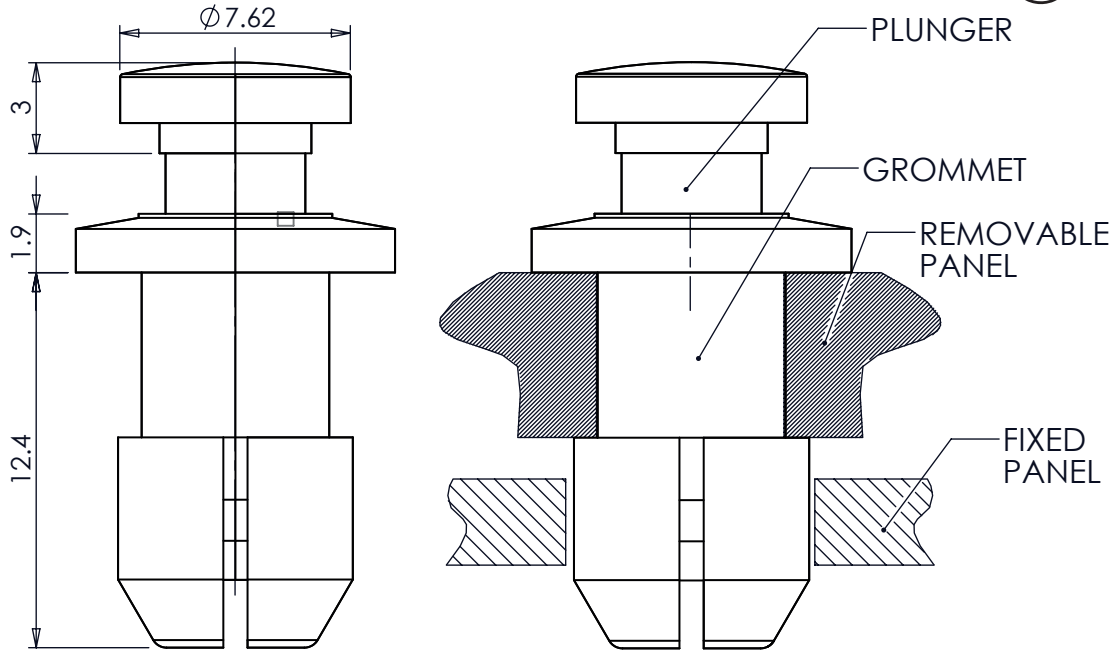


DIM.	TOL.
5mm DOWN	±0.2
5~20mm	±0.3
20~40mm	±0.4
40~60mm	±0.5
60~100mm	±0.8
100mm UP	±1.0

REVISIONS			
REV	DESCRIPTION	DATE	BY



HOLE SIZE FIXED PANEL	HOLE SIZE REMOVABLE PANEL	PANEL RANGE FIXED PANEL		PANEL RANGE REMOVABLE PANEL	
		MIN	MAX	MIN	MAX
$\phi 8,0$	7,8	-	3,2	5,0	5,2

				TITLE SNAP LATCH	
				MATERIAL PA66 V2(UL94)	
PART NUMBER 19497AA01				DRAWING NUMBER 25.04.28.19497.E	
DRAWN E.B.				CHECK	
COLOR BLACK				APPROVED	
SIZE A4	SCALE NTS	UNIT mm.	REV A	UNLESS OTHERWISE SPECIFIED TOLERANCE SEE ABOVE	