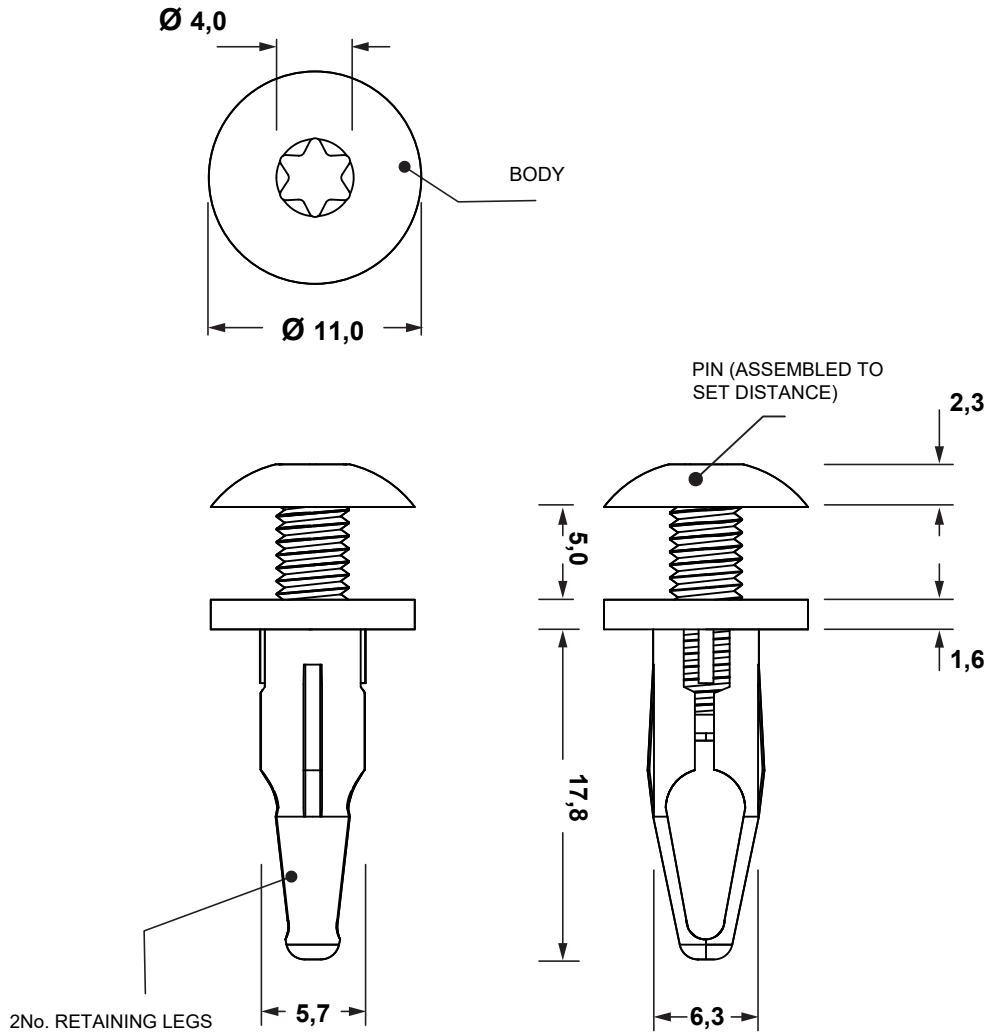


DIM.	TOL.
5mm DOWN	±0.2
5~20mm	±0.3
20~40mm	±0.4
40~60mm	±0.5
60~100mm	±0.8
100mm UP	±1.0

REVISIONS			
REV	DESCRIPTION	DATE	BY



HOLE: $\varnothing 6,0$
THICKNESS: 3,0 - 5,0
LENGTH: 17,8
BODY/PIN HEAD HEIGHT: 3,9
BODY HEAD HEIGHT: 1,6
PIN IS PRE-ASSEMBLED INTO BODY

				TITLE SCREW RIVET	
				MATERIAL PA 66 V2(UL94)	DATE 05/05/2025
PART NUMBER 19515AA01				DRAWN A.C.	
				DRAWING NUMBER 25.05.05.19515.0.E	
SIZE A4				COLOR BLACK	
				CHECK	
SCALE NTS				UNLESS OTHERWISE SPECIFIED TOLERANCE SEE ABOVE	
				APPROVED	
UNIT mm.				REV A	