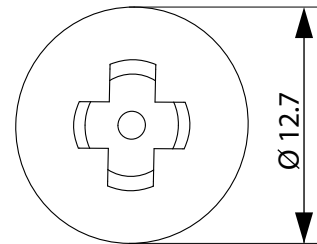
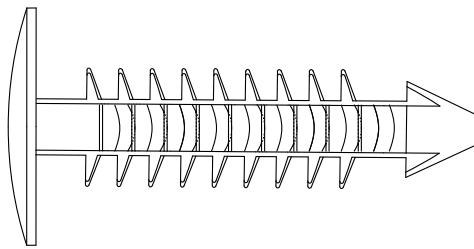
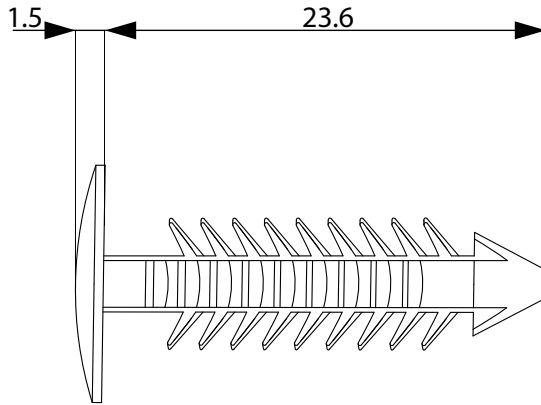


DIM.	TOL.
5mm DOWN	±0.2
5~20mm	±0.3
20~40mm	±0.4
40~60mm	±0.5
60~100mm	±0.8
100mm UP	±1.0

REVISIONS			
REV	DESCRIPTION	DATE	BY



HOLE SIZE	PANEL RANGE	
Ø 6,0	MIN. 3,5	MAX. 19,0



				TITLE PINE TREE CLIP			
				MATERIAL PA66		DATE 15/04/2025	
				DRAWN E.B.			
PART NUMBER 8216AA01		DRAWING NUMBER 25.04.15.8216.0.E		COLOR SEE TABLE		CHECK	
SIZE A4	SCALE NTS	UNIT mm	REV A	UNLESS OTHERWISE SPECIFIED TOLERANCE SEE ABOVE		APPROVED	