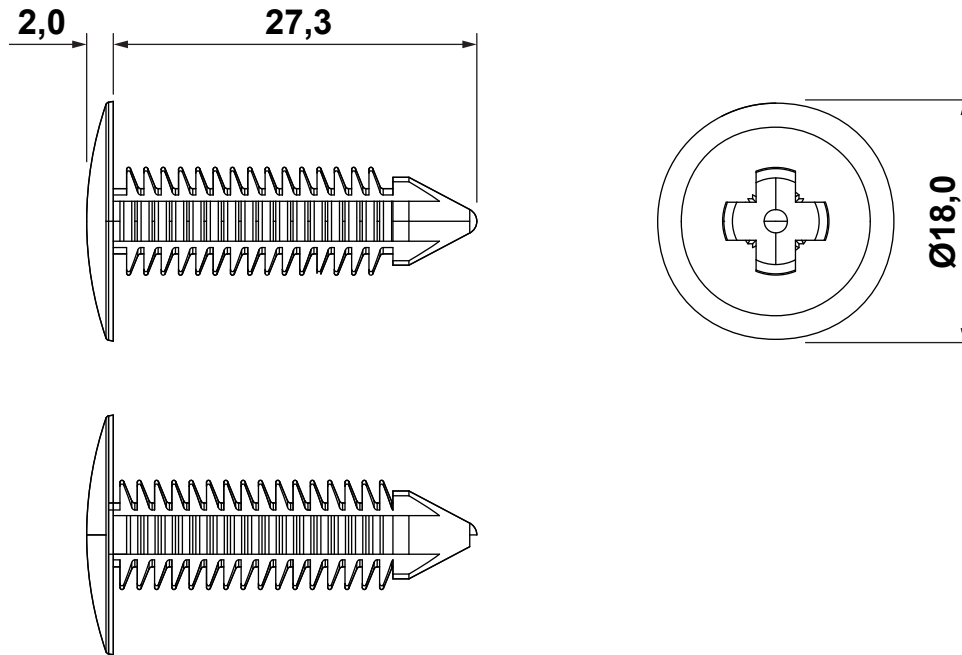


DIM.	TOL.
5mm DOWN	±0.2
5~20mm	±0.3
20~40mm	±0.4
40~60mm	±0.5
60~100mm	±0.8
100mm UP	±1.0

REVISIONS			
REV	DESCRIPTION	DATE	BY



MOUNTING HOLE Ø7,0
PANEL RANGE: 0,7 - 20,0

REV.	DESCRIPTION	DATE	TITLE: PINE TREE CLIP	DWG UNIT: MM
	MATERIAL: PA 66		Modelled in RHINO 4.0	FILE:
	COLOUR: BLACK		TOLLERANCES UNLESS NOTED	DwN: 23/06/21
			SEE ABOVE	ChkD:
				DT: 21.06.23.8222.0.E.
				Part Number: 8222AA01

