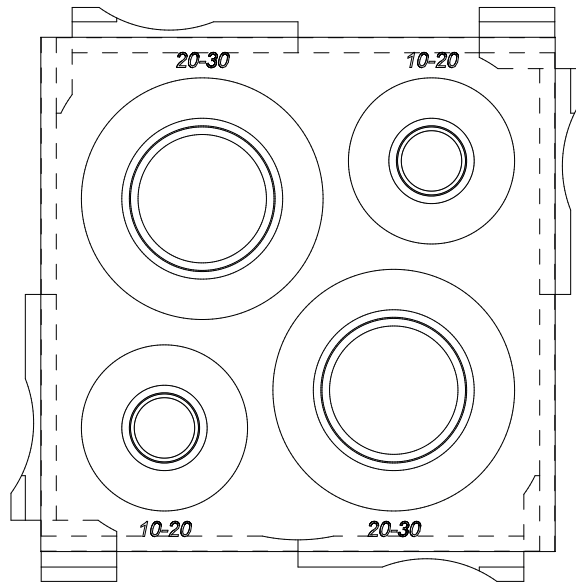


REVISIONS			
REV	DESCRIPTION	DATE	BY



No. HOLES: 2
Ø CABLE: 20,0 - 30,0

No. HOLES: 2
Ø CABLE: 10,0 - 20,0

INSERT SIZE: 68 x 68

PROTECTION GRADE: IP65

WORKING TEMPERATURE: -20°C ~ +125°C

TEST STANDARD: EN60529: 1991+A1, EN60670-1:2005

COMPATIBLE WITH FL21 FRAME (9050FA117035 / 9050FA019005)

P/N	COLOUR
9063FA019005	BLACK RAL 9005
9063FA117035	GREY RAL 7035

				TITLE MODULAR GLAND PLATES IP65 – INSERTS	
				MATERIAL Fiberglass/Polypropylene/TPE	
PART NUMBER SEE TABLE				DRAWN E.B.	
				DRAWING NUMBER 25.06.05.9063.E	
SIZE A4		SCALE NTS		COLOR SEE TABLE	
UNIT mm.		REV A		UNLESS OTHERWISE SPECIFIED TOLERANCE SEE ABOVE	
				APPROVED	