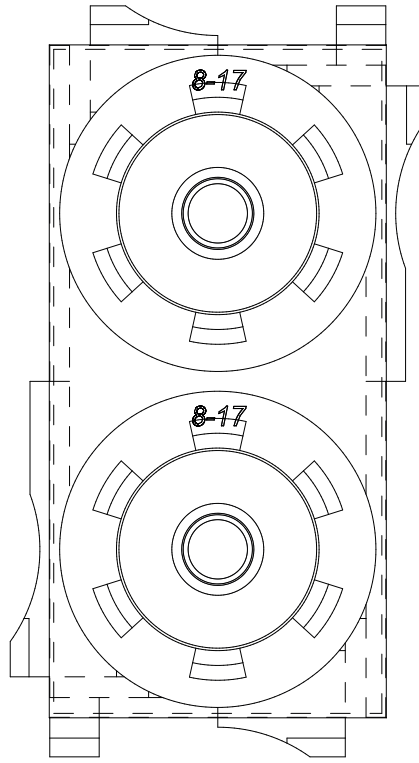


REVISIONS			
REV	DESCRIPTION	DATE	BY



No. HOLES: 2 (M25)  
 Ø CABLE: 8,0 - 17,0

INSERT SIZE: 68 x 34

PROTECTION GRADE: IP65

WORKING TEMPERATURE: -20°C ~ +125°C

TEST STANDARD: EN60529: 1991+A1, EN60670-1:2005

COMPATIBLE WITH FL21 FRAME (9050FA117035 / 9050FA019005)

P/N	COLOUR
9065FA019005	BLACK RAL 9005
9065FA117035	GREY RAL 7035

				TITLE <b>MODULAR GLAND PLATES IP65 – INSERTS</b>	
				MATERIAL Fiberglass/Polypropylene/TPE	DATE 05/06/2025
PART NUMBER SEE TABLE		DRAWING NUMBER 25.06.05.9065.E		COLOR SEE TABLE	
SIZE A4	SCALE NTS	UNIT mm.	REV A	UNLESS OTHERWISE SPECIFIED TOLERANCE SEE ABOVE	
				CHECK APPROVED	