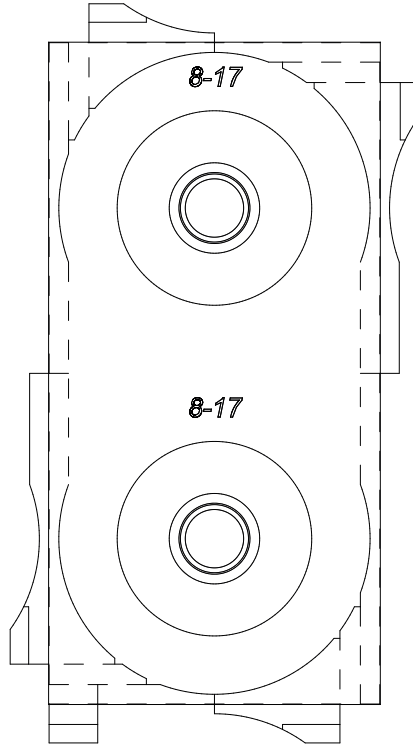


REVISIONS			
REV	DESCRIPTION	DATE	BY



No. HOLES: 2 (M25)
 Ø CABLE: 8,0 - 17,0

INSERT SIZE: 34 x 68

PROTECTION GRADE: IP65

WORKING TEMPERATURE: -20°C ~ +125°C

TEST STANDARD: EN60529: 1991+A1, EN60670-1:2005

COMPATIBLE WITH FL13 FRAME (12056FA117035 / 12056FA019005)

P/N	COLOUR
9068FA019005	BLACK RAL 9005
9068FA117035	GREY RAL 7035

				TITLE MODULAR GLAND PLATES IP65 – INSERTS	
				MATERIAL Fiberglass/Polypropylene/TPE	DATE 05/06/2025
PART NUMBER SEE TABLE				DRAWN E.B.	
				DRAWING NUMBER 25.06.05.9068.E	
SIZE A4				COLOR SEE TABLE	
				SCALE NTS	
UNIT mm.		CHECK			
		UNLESS OTHERWISE SPECIFIED TOLERANCE SEE ABOVE			
REV A		APPROVED			