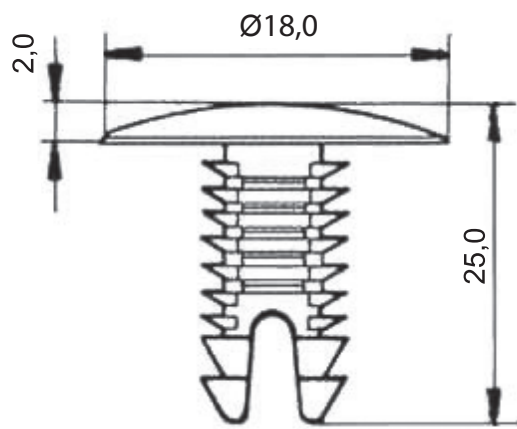



DIM.	TOL.
5mm DOWN	±0.2
5~20mm	±0.3
20~40mm	±0.4
40~60mm	±0.5
60~100mm	±0.8
100mm UP	±1.0

REVISIONS			
REV	DESCRIPTION	DATE	BY



**MOUNTING HOLE: Ø8,0**  
**PANEL THICKNESS: 1,0 - 16,0**

		TITLE <b>CLIP</b>	
		MATERIAL PA66 V2(UL94)	DATE 24/07/2025
PART NUMBER 0272AA01		DRAWING NUMBER 25/07/24.0272.E	
DRAWN E.B.		COLOR BLACK	CHECK
SIZE A4	SCALE NTS	UNIT mm.	REV A
UNLESS OTHERWISE SPECIFIED TOLERANCE SEE ABOVE		APPROVED	