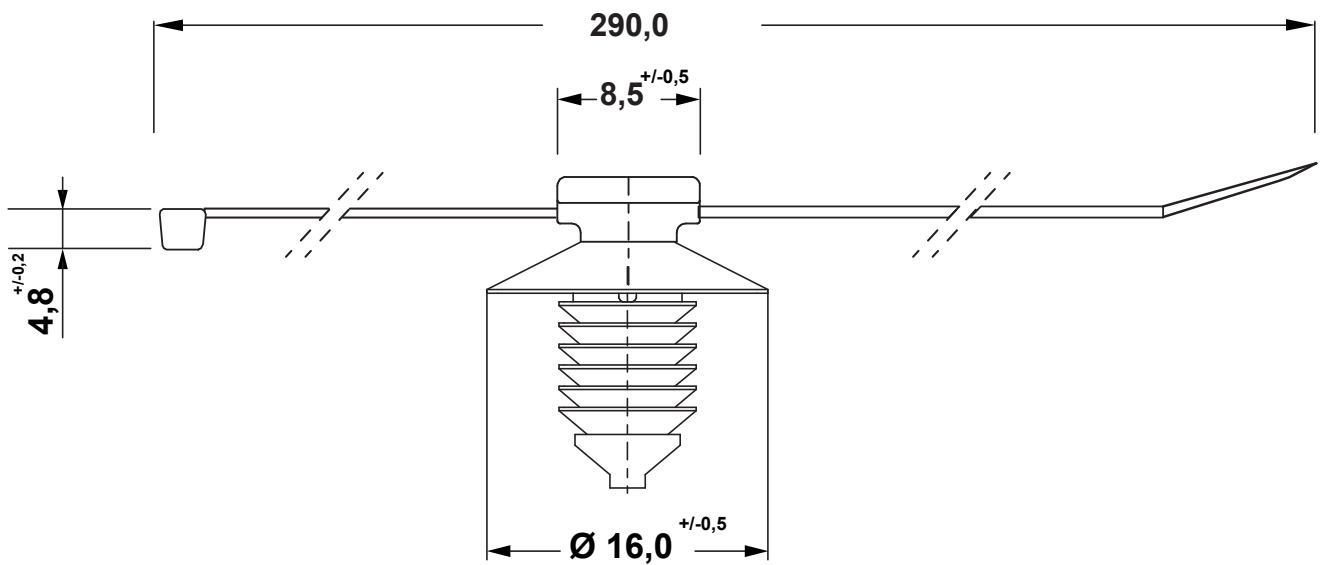
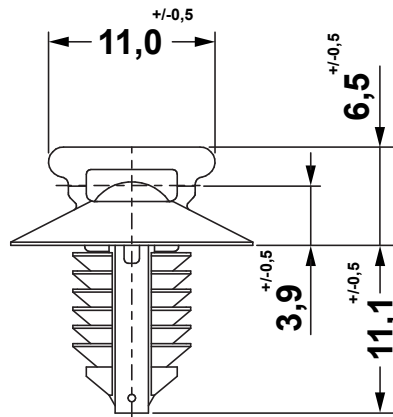


REVISIONS			
REV	DESCRIPTION	DATE	BY



MOUNTING HOLE Ø : 6,3 - 7,0
 PANEL THICKNESS : 0,5 - 6,0
 MAX. TIE WIDTH : 3,6

MAX. CABLE DIAMETER: 80,0
 MIN. LOOP TENSILE STRENGTH (KG): 13,26
 WORKING TEMPERATURE: -35°C....+85°C

		TITLE		CABLE TIE HOLDER + TIE	
		MATERIAL	PA 66 V2(UL94)	DATE	17.06.2021
PART NUMBER		DRAWING NUMBER		COLOR	CHECK
15739AA01GS		21/06/17.15739.E		BLACK	
SIZE	SCALE	UNIT	REV	UNLESS OTHERWISE SPECIFIED TOLERANCE	APPROVED
A4	NTS	mm	A	SEE ABOVE	
				DRAWN	S.W.