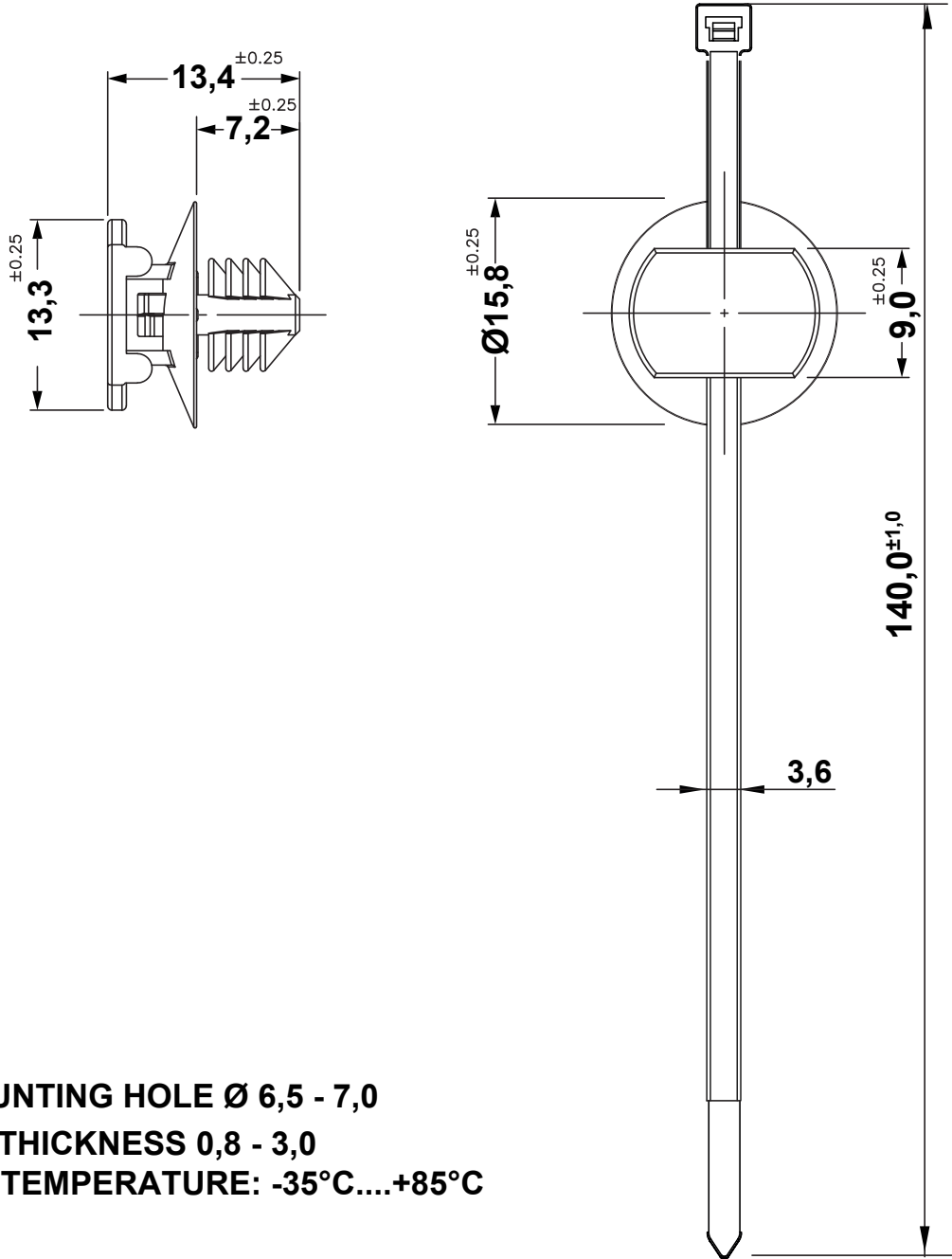


| DIM. | TOL. |
|----------|------|
| 5mm DOWN | ±0.2 |
| 5~20mm | ±0.3 |
| 20~40mm | ±0.4 |
| 40~60mm | ±0.5 |
| 60~100mm | ±0.8 |
| 100mm UP | ±1.0 |



| REVISIONS | | | |
|-----------|-------------|------|----|
| REV | DESCRIPTION | DATE | BY |
| | | | |
| | | | |



MOUNTING HOLE Ø 6,5 - 7,0
THICKNESS 0,8 - 3,0
WORKING TEMPERATURE: -35°C....+85°C

| | | | | | | | |
|---|--|------------------------------------|--|--------------------------------|--|--------------------|--|
| | | | | TITLE PUSH TIE HOLDER + TIE | | | |
| | | | | MATERIAL PA 66 V2(UL94) | | DATE 02/10/2024 | |
| | | | | DRAWN S.W. | | | |
| PART NUMBER 15769AA01GS | | DRAWING NUMBER 24/10/02.15769.E | | COLOR BLACK | | | |
| SIZE A4 | | SCALE NTS | | CHECK | | | |
| UNIT mm. | | REV A | | APPROVED | | | |
| UNLESS OTHERWISE SPECIFIED TOLERANCE DIN ISO 2768 - m K | | | | | | | |